

# GOT110-316

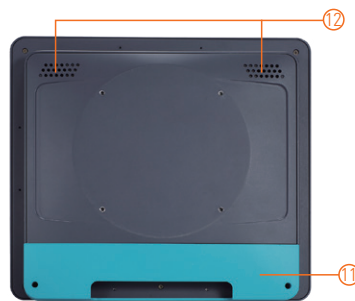
10.4" XGA TFT Fanless Touch Panel Computer with Intel® Celeron® Processor N3350 or Intel® Pentium® Processor N4200

## Features

- 10.4" XGA TFT LCD display with LED backlight
- Fanless design with Intel® Celeron® processor N3350 or Intel® Pentium® processor N4200
- 2 GbE LAN, 4 USB and 2 COM
- IP65-rated front bezel and IPX1 rated back cover
- Peripheral support including MSR, RFID, Wi-Fi, and barcode scanner
- External AT/ATX mode selection switch
- Easy maintenance design for storage and memory
- Supports panel mount, wall mount, VESA arm and desktop stand
- Adjustable RS-232/422/485 setting via BIOS
- Aluminum cover for the better thermal dissipation and reliability



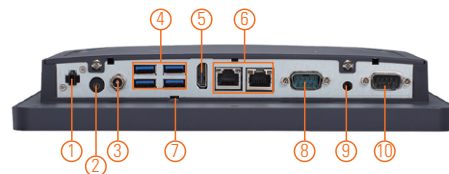
▲ Side view



▲ Rear view



1. Power LED
2. HDD LED
3. Brightness adjust +/-
4. Display on/off
5. Volume on/off



1. Remote power switch
2. Power button
3. Screw connector for adapter
4. 4 x USB 3.0
5. 1 x HDMI
6. 2 x LAN
7. AT/ATX switch
8. 1 x RS-232/422/485
9. 1 x Line-out
10. 1 x RS-232
11. Cable cover (optional)
12. Speaker

## Introduction

The GOT110-316 is a 10.4" XGA fanless touch panel computer. It adopts a modern, super sleek and fanless design and is equipped with the Intel® Celeron® processor N3350 dual core up to 2.40 GHz. For wireless network connection, the GOT110-316 offers two PCI Express Mini Card slots. By just plugging in the WLAN card, customers can have instant access to wireless LAN. Besides, it can be integrated with peripheral devices including barcode scanner, RFID, MSR, Wi-Fi, and Bluetooth.

### Super Slim Design

With a thickness of 43.5 mm, the GOT110-316 is a super slim touch panel computer for space-limited environment.

### Support Front Membrane Keys

The GOT110-316 provides 5 Membrane keys in front of system, people can adjust the system display, volume and brightness.

### Aluminum Back Chassis with Excellent Thermal Solution

With Axiomtek's patent for plastic plus aluminum mechanism design, the GOT110-316 can dissipate the heat easily and keep the system operation stable.

## Specifications

Front Bezel	IP65, NEMA 4 rugged protection, plastic front bezel	
LCD Panel	Display Type	10.4" XGA TFT LCD with LED backlight
	Brightness (cd/m <sup>2</sup> )	350 nits (XGA)
	Resolution	1024 x 768
	Viewing Angel (H/V)	160°/160°
Main System	CPU	Intel® Celeron® processor N3350 2 cores (up to 2.4GHz) Intel® Pentium® processor N4200 4 cores (up to 2.5GHz)
	System Memory	1 x 204-pin DDR3L-1600 SO-DIMM, up to 8GB
	BIOS	AMI UEFI BIOS
	Storage	1 x 2.5" SATA HDD (9.5 mm height) 1 x mSATA
	Watchdog Timer	255 levels, 0 to 255 sec.
	Onboard Graphics	Integrated in Intel® GFX

## Specifications

I/O Connector	1 x RS-232/422/485 (default RS-232) 1 x RS-232 2 x 10/100/1000 Mbps Ethernet 4 x USB 3.0 1 x Screw type connector for power 1 x Power button (ATX) 1 x Remote power switch 1 x Audio (Line-out) 1 x ATX/AT selectable switch 1 x HDMI
Expansion Interface	1 x Full-size PCI Express Mini Card slot with mSATA 1 x Full-size PCI Express Mini Card slot with SIM
Touchscreen	Projected capacitive multi-touch 5-wire flat resistive touch
Power Supply	DC version: 12/19 to 24 VDC adapter cable AC version: 100 to 240 VAC-DC, 60W power adapter
Power Consumption	24W
Dimensions	259.43 mm (10.21") (W) x 43.5 mm (1.71") (D) x 232.73 mm (9.16") (H)
Packing Dimensions	415 mm (16.34") (W) x 100 mm (3.94") (D) x 315 mm (12.4") (H)
Weight (net/gross)	1.8 kg (3.96 lb)/3 kg (6.61 lb)
Operating Temperature	0°C to +50°C (+32°F to +122°F)
Relative Humidity	20% to 90% @ +40°C; non-condensing
Operation Vibration	2G, 5 - 500Hz, random for SSD
Certifications	CE, FCC

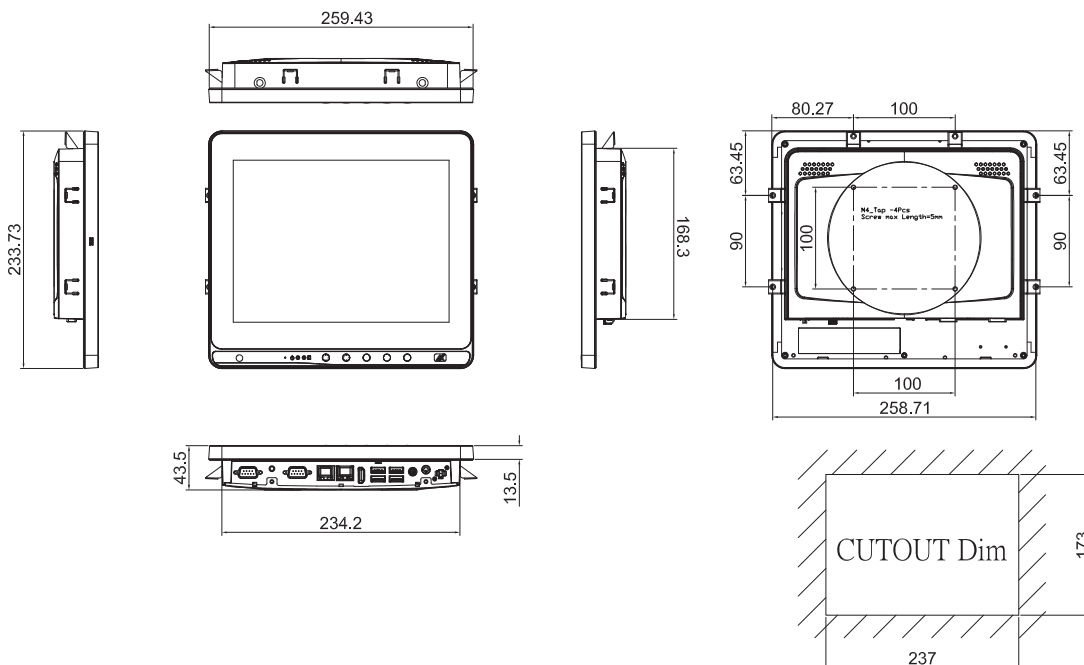
## Packing List

1 x GOT110-316  
1 x Adapter (GOT110-316-J)  
1 x DC cable (GOT110-316-DC)



▲ AC power adapter  
(for GOT110-316-J)

## Dimensions



## Ordering Information

Standard	
GOT110-316-PCT-J (P/N: E22B110106)	10.4" XGA fanless touch panel computer with Intel® Celeron® processor N3350 w/projected capacitive multi-touch screen, AC-DC 60W power adapter and EMI Class A
GOT110-316-N4200-PCT-J (P/N: E22B110107)	10.4" XGA fanless touch panel computer with Intel® Celeron® processor N4200 w/projected capacitive multi-touch screen, AC-DC 60W power adapter and EMI Class A
GOT110-316-R-J (P/N: E22B110101)	10.4" XGA fanless touch panel computer with Intel® Celeron® processor N3350, 5-wire flat resistive touch, AC-DC 60W power adapter (screw type connector) and EMI Class A
GOT110-316-R-DC (P/N: E22B110103)	10.4" XGA fanless touch panel computer with Intel® Celeron® processor N3350, 5-wire flat resistive touch, screw type power input with DC cable and logo
GOT110-316-R-J N4200 (P/N: E22B110104)	10.4" XGA fanless touch panel computer with Intel® Pentium® processor N4200, 5-wire flat resistive touch, AC-DC 60W power adapter (screw type connector), EMI Class A, and logo
GOT110-316-R-DC N4200 (P/N: E22B110105)	10.4" XGA fanless touch panel computer with Intel® Pentium® processor N4200, resistive touch, screw type power input with DC cable and logo

\* Other configuration by request

\* Specification and certifications may vary based on different requirements

## Optional Accessories

External Wi-Fi + Bluetooth kit\*

RFID kit	
8812B1101A0E	Panel mount kit
8812B1100A0E	Wall mount kit
E226171119	Stand kit

Barcode scanner kit

\* Standard Wi-Fi kit does not support panel mount.

## Optional OS Installation

Windows® 10