

PMS8907

> 7" Intel Celeron N2930 Industrial Fanless Panel PC



Features



- Fanless and quiet design
- Flat front panel touch screen
- Intel Celeron N2930 CPU built-in
- Onboard 4GB DDR3L Memory
- Supports wide range voltage DC in (9~36V)
- Aluminum chassis

Specifications



System

CPU	Onboard Intel Celeron N2930(1.83GHz) Processor
System Chipset	SoC
Memory	Onboard 4GB DDR 3L 1333 MHz

IO Port

USB	2 x USB 3.0 type A
Serial/Parallel	1 x RS-232 DB-9, COM2 1 x RS-232/422/485 DB-9, COM1, default RS-232
Audio	1 x Audio Line Out
LAN	2 x GbE LAN RJ-45 with Intel 82574L controller
Power	1 x 3-pin DC power input terminal 1 x 2-pin connector for power on/off button

Storage Space

HDD	1 x SATA MO-297 SSD bay (Easy Accessible)
Removable device	1 x SD card slot, up to 32GB

Expansion

Expansion Slot	1 x Internal Mini-PCIe slot full size
----------------	---------------------------------------

Display

Display Type	7" TFT-LCD
Max. Resolution	800 x 480
Max. Color	262K
Luminance (cd/m ²)	350
Viewing Angle	140(H) / 110(V)
Contrast Ratio	400 : 1
Backlight Lifetime	40,000 Hrs

Touch Screen

Type	Resistive Touch Window
Interface	USB
Light Transmission(%)	Resistive Touch Window: over 80%

Power

Power Input	DC 9~36V
Power Consumption	PLP-A5807: MAX:14.1W

Mechanical

Color	RAL 9007
Construction	Aluminum Die-casting Front Bezel and Chassis
Mounting	Panel Mounting, VESA 75 x 75
IP Rating	IP66 compliant front bezel
Dimensions	202 x 149 x 40 mm
Net Weight	1.2 Kg

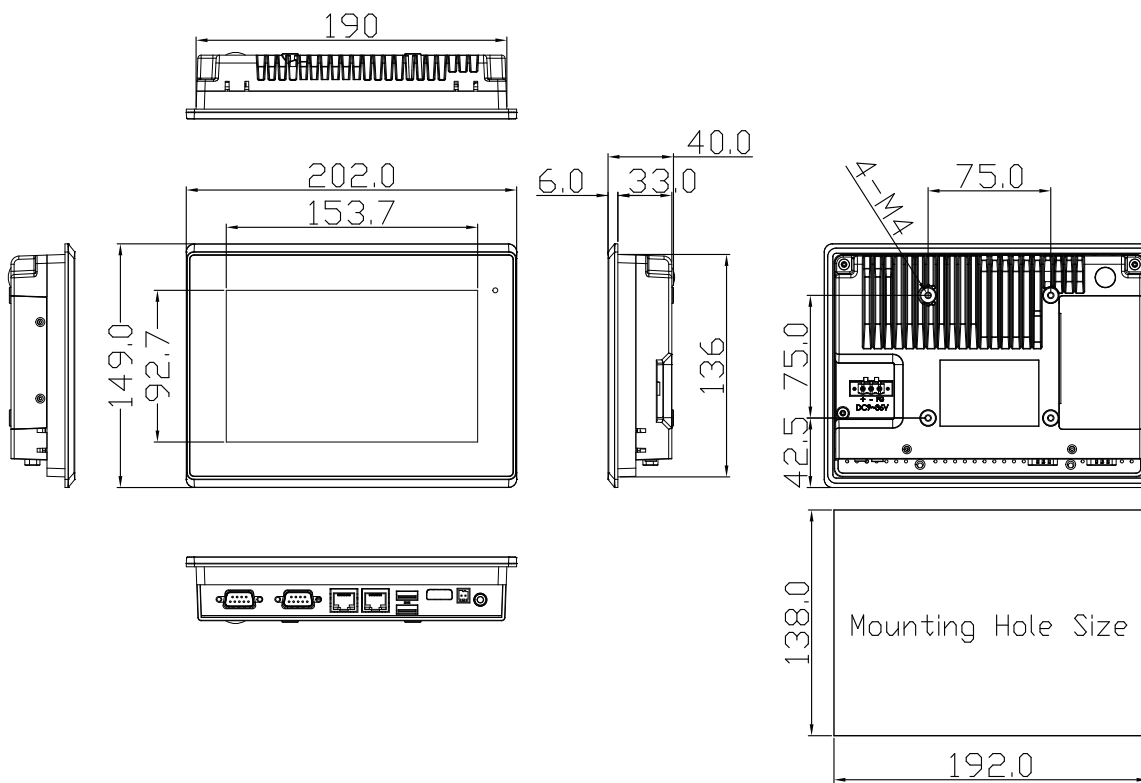
Environmental

Operating Temperature	PMS8907 : 0~50°C, -20~60°C (option)
Storage Temperature	-20~60°C
Storage Humidity	10 to 90% @ 40°C, non-condensing
Certificate	CE / FCC CLASS A / UL

I/O Panel View



Dimensions



unit: mm