



Features

- 12.1" Industrial Compact Size Panel PC
- Intel Celeron N2930(1.83GHz) CPU built-in
- Onboard 4GB DDR3L 1333MHz
- Flat Front Panel Touch Screen and Fanless Design
- DC 9~36V Wide-Ranging Power Input
- IP66 Compliant Front Panel

Specifications

System	
CPU	Onboard Intel Celeron N2930(1.83GHz)
System Chipset	SoC
Memory	Onboard 4GB DDR3L 1333MHz
I/O Port	
USB	2 x USB 3.0 type A
Serial / Parallel	1 x DB-9 RS-232/422/485, COM1 (Default RS-232) 1 x RS-232 DB-9, COM2
Audio	1 x Audio Line Out
LAN	2 x GbE LAN RJ-45
Power	1 x 3-pin DC power input terminal 1 x 2-pin connector for power on/off button
Option	Wi-Fi/BT

Storage Space	
HDD	1 x 2.5" SATA HDD bay for SATA HDD (Easy Accessible)

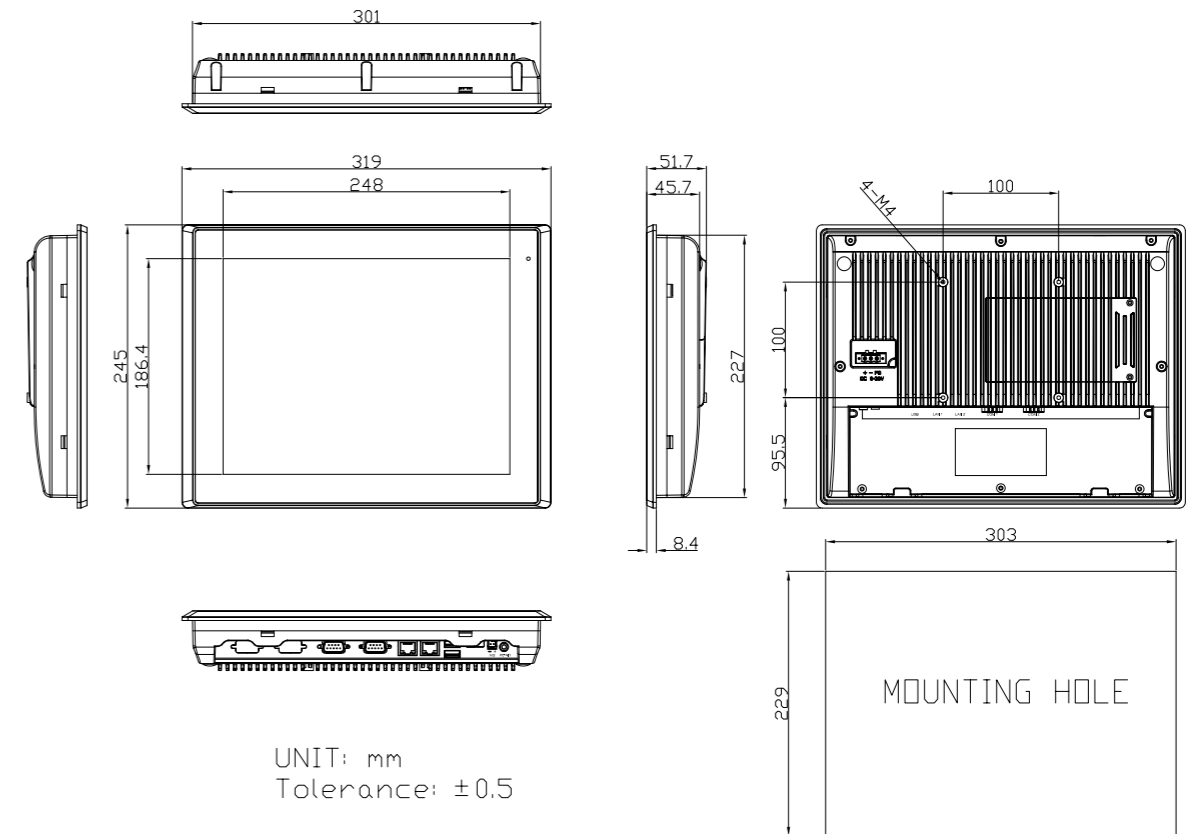
Expansion	
Expansion Slot	1 x Internal Mini-PCIe slot full size 1 x SIM card holder / Micro SD card reader

Display	Standard	
	Display Type	12.1" TFT-LCD
Max. Resolution	800 x 600	1024 x 768
Max. Color	262K	16.2M
Luminance (cd/m ²)	450 (SVGA)	500 (XGA)
View Angle	178(H)/178(V)	178(H)/178(V)
Contrast	1500:1	1000:1
Backlight Lifetime	50,000 hrs	30,000 hrs

Touch Screen	
Type	Resistive Touch
Interface	USB
Light Transmission(%)	Over 80%

Power	
Power Input	DC 9~36V
Power Consumption	15W (MAX)

Dimensions



Mechanical	
Color	RAL 9007
Construction	Aluminum die-casting chassis
Mounting	Panel Mount, VESA 100 x 100
Dimensions (WxHxD)	319 x 245 x 51.7 mm
IP Rating	IP66 Compliant Front Bezel
Net Weight	2.8 kg

Environmental	
Operating Temperature	0~50°C / -20~60°C (option)
Storage Temperature	-30~70°C
Humidity	10 to 95% @ 40°C, non-condensing
Certificate	CE/FCC Class A

Operating System Support	
Windows 10 IoT Enterprise	

Ordering Information	
12.1" SVGA Fanless HMI barebone with Intel N2930 1.83G CPU, 2GB DDR3L RAM, Resistive touch screen, DC 9~36V input with adapter, Aluminum chassis	