

# IPC950 NEW

Fanless Industrial System with Intel® Core® Processor i7/i5/i3 or Celeron® 6305E Processor and Front Access I/O

## Features

- Intel® Core® i7/i5/i3 processor (Tiger Lake U), 15W
- Flexible I/O module for further expansion
- M.2 Key E socket for wireless connection
- 2 DisplayPort
- Supports TPM 2.0
- Supports Intel® iAMT
- Optional 1 PCIe x4 slot expansion kit
- Optional DIN-rail, bookshelf and wall mount



- |                            |                               |
|----------------------------|-------------------------------|
| 1. 4 x LED                 | 8. 8CH DIO                    |
| 2. RS-232/422/485          | 9. Flexible System I/O Window |
| 3. 3 x LAN                 | 10. 4 x USB3.1 (10G)          |
| 4. Line out                | 11. 2 x DP++                  |
| 5. Remote power switch     | 12. 3-pin terminal block      |
| 6. Switch for power on/off | 13. Ground terminal           |
| 7. Antenna opening         | 14. 1 PCIe x4 slot            |



## Specifications

Standard Color	Silver & black	
Construction	Aluminum extrusion heavy-duty cold-rolled steel	
Processor System	CPU Level	Intel® Core® i7-1185G7E/i5-1145G7E/i3-1115G4E & Intel® Celeron® 6305E processor (Tiger Lake U), 15W
	Chipset	SoC
System Memory	2 x DDR4-3200 MT/s un-buffered SO-DIMM, up to 64GB	
System I/O	Ethernet	1 x 10/100/1000/2500 Mbps Ethernet (Intel® i225-LM) 2 x 10/100/1000 Mbps Ethernet (Intel® i211-AT)
	Serial	1 x RS-232/422/485 (default RS-232, BIOS selection)
	DIO	Programmable 8CH DIO via 10-pin terminal block, TTL type
	USB	4 x USB 3.1 (10G) Type A 1 x Internal USB 2.0 for license key usage, up to 20mm
	Display	2 x DP++ 1.2 4K supports resolution up to 4096*2160 @60HZ
	Audio	1 x Line-out
	Others	1 x Switch for power on/off w/LED (ATX) 1 x Remote switch 1 x 3-pin terminal block 1 x AT/ATX selectable switch
Flexible System I/O Module	AX93511	4 x RS-232/422/485 module (default RS-232)
	AX93512	2 x RS-232/422/485 with isolated 1.5kVDC & 8-in/8-out with isolated 1.5kVDC DIO module
	AX93516	4 x RS-232/422/485 with isolated 2kVDC module
	AX93519	1 x 10/100/1000 Mbps Ethernet, 2 x RS-232/422/485 and 2 x USB 2.0 module
	Blank I/O cover (default)	

TPM	TPM 2.0	
Expansion Interface	M.2 Key E 2230 socket	
	SIM	1 x SIM slot
	mPCIe	1 x Full-size PCI Express Mini Card slot (USB & PCIe interface)
	PCIe	1 PCIe x4 slot for Axiomtek I/O card (optional) <ul style="list-style-type: none"> <li>• AX92320: 2/4-port GigE PoE LAN PCI Express card (max. 100W PoE power output)</li> <li>• AX92321: 4-port/8-port USB 3.0 PCI Express card with 4 independent host controllers</li> <li>• AX92322: 2-port/4-port GbE LAN PCI Express card</li> <li>• AX92351: 32-CH isolated digital I/O with digital filter</li> </ul>
Storage	1 x 2.5" HDD/SSD bay (7/9.5 mm height) 1 x M.2 Key B+M 2280 socket (SATA interface) for SSD	
System Indicators	1 x CPU status LED 1 x Programmable (GPIO) LED 1 x HDD/SSD access LED 1 x Power LED	
Power Input	Type: ATX/AT Input: 24 VDC (uMin=19V/uMax=30V)	
Operating Temperature	-20°C to +50°C (-4°F to +122°F) with W.T. SSD	
Storage Temperature	-40°C to +70°C (-40°F to +158°F)	
Relative Humidity	10% to 95% (non-condensing)	
Dimensions	69.5 mm (2.73") (W) x 225 mm (8.85") (H) x 230 mm (9") (D)	
Weight (net/gross)	4 kg/6 kg	
Certifications	CE/FCC	

## Ordering Information

System	
IPC950-11i7-F5 (P/N: E26G950101)	Fanless industrial system with Intel® Core® i7-1185G7E and blank flexible I/O, w/o Axiomtek logo
IPC950-11i5-F5 (P/N: E26G950102)	Fanless industrial system with Intel® Core® i5-1145G7E and blank flexible I/O, w/o Axiomtek logo
IPC950-11i3-F5 (P/N: E26G950103)	Fanless industrial system with Intel® Core® i3-1115G4E and blank flexible I/O, w/o Axiomtek logo
IPC950-11iC-F5 (P/N: E26G950104)	Fanless industrial system with Intel® Core® Celeron® 6305E and blank I/O, w/o Axiomtek logo
IPC950-11i7-F5E1 (P/N: E26G950105)	Fanless industrial system with Intel® Core® i7-1185G7E, blank flexible I/O, and 1 PCIe x4 slot, w/o Axiomtek logo

### Optional Flexible System I/O Module

AX93511 (P/N: 886G95010A0E)	4 x RS-232/422/485 module (default RS-232)
AX93512 (P/N: 886G95011A0E)	2 x RS-232/422/485 with isolated 1.5kVDC & 8-in/8-out with isolated 1.5kVDC DIO module
AX93516 (P/N: 886G95012A0E)	4 x RS-232/422/485 with isolated 2kVDC module
AX93519 (P/N: 886G95013A0E)	1 x 10/100/1000 Mbps (Intel® i211-AT) Ethernet 2 x RS-232/422/485 & 2 x USB 2.0

## Mounting Type

### DIN-rail Mounting



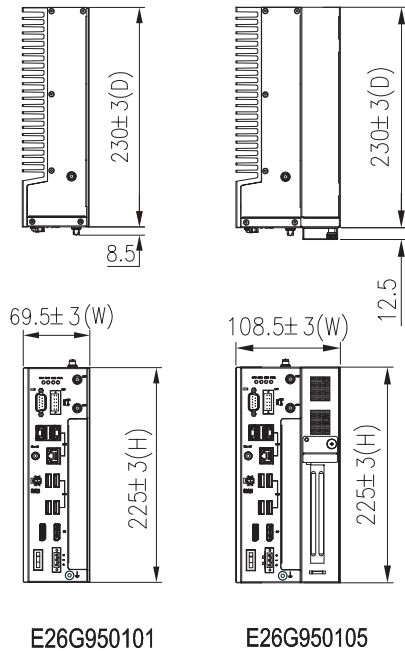
### Bookshelf Mounting



### Wall Mounting



## Dimensions



### Optional

2.5" SATA HDD/SSD	
M.2 Key B+M 2280 (SATA) NVMe SSD	
DDR4-3200 MT/s un-buffered SO-DIMM, up to 64GB	
886G95018A0E	DIN-rail mounting kit for IPC950 system
886G9501AA0E	DIN-rail mounting kit for IPC950 w/PCIe x4 slot system
886G95019A0E	Bookshelf mounting kit for IPC950 system
886G9501BA0E	Bookshelf mounting kit for IPC950 w/PCIe x4 slot system
886G9501CA0E	Wall mounting kit for IPC950 and IPC950 w/PCIe x4 slot system
59492350700E	Power cable for AX92320

## Power Protection

### DC Version

- OVP (over voltage protection)
- OCV (over current protection)
- Reverse Protection

## Packing List

- 1 x IPC950 unit
- 1 x Screw pack
- 1 x Terminal block
- 1 x Remote power switch cable
- 3 x Antenna isolated washer