

AFL4-W08-EHL

IEI Light Industrial Panel PC

Powered by Intel® Elkhart Lake Platform



IEI

WWW.IEIWORLD.COM



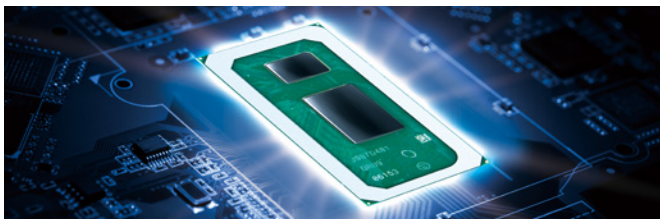
AFL4-W08-EHL

Fanless panel PC with narrow bezel design, Intel® Celeron® J6412 processor, on-board 8GB memory, HDMI output, 2.5GbE LAN, two RS-232/422/485, two USB 3.2 Gen2, one USB 2.0, one M.2 M key expansion slot, and anti-glare & anti-UV 10-point touchscreen



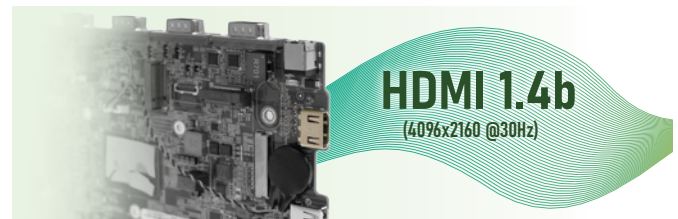
Intel® Celeron® J6412 SoC

Intel® Elkhart Lake low power SoC, adopting 10nm process, 4-core 4-thread, 2.00GHz base frequency and up to 2.60GHz burst frequency.



Support 4K UHD Display Output

10th generation Intel® Ultra HD graphics engine allows the system to display video and images in stunning 4K resolution over HDMI 1.4b.



Anti-glare and Anti-UV PCAP

With anti-glare and anti-UV coating, the 10-point touchscreen can display clearly without reflection for a long time use in outdoors and bright light environment.



Works with Gloves and Water

The equipped capacitive touch screen supports gloved operation and waterproof function that can effectively eliminate false touch operating caused by water spray.



Extensive I/O Interfaces

The panel PC is small, but comes with abundant I/O for a variety of application scenarios. It includes two UART, three USB, one 2.5G network port and one HDMI interface.

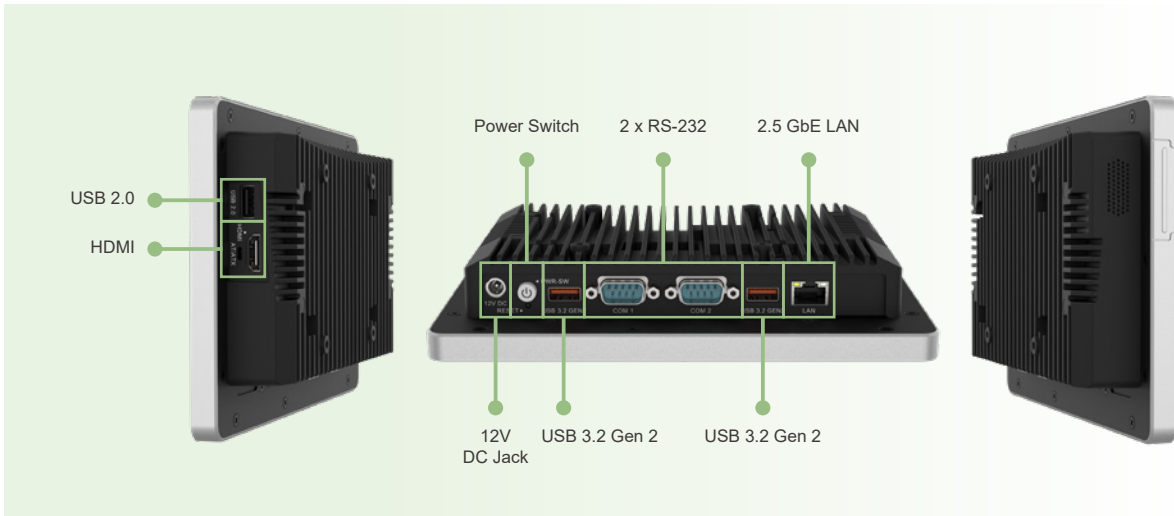


Support WiFi 6E and Bluetooth 5.2

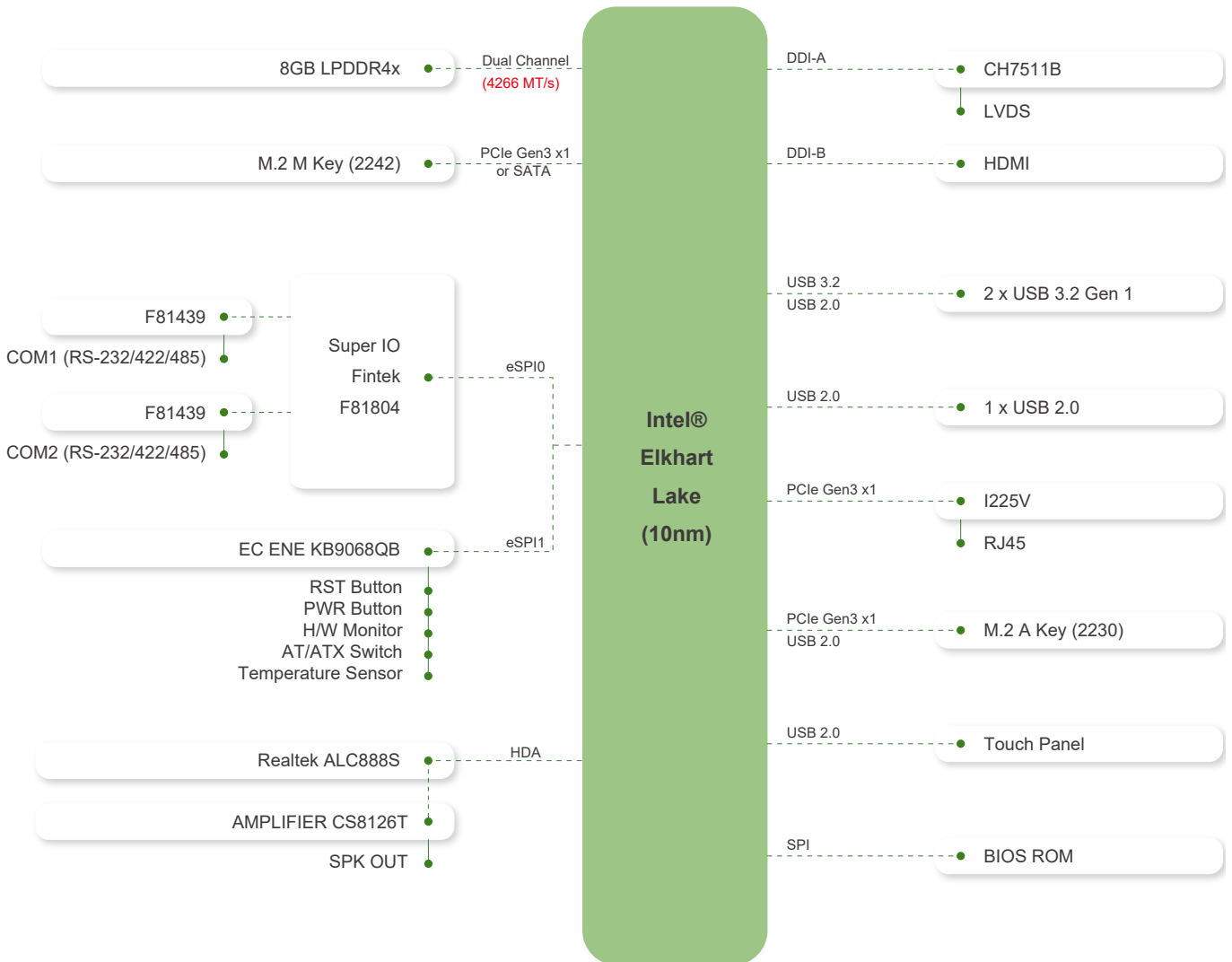
Strong Wi-Fi 6E wireless network capability provides more bandwidth, and the low latency Bluetooth 5.2 connection is more stable and consumes less power.



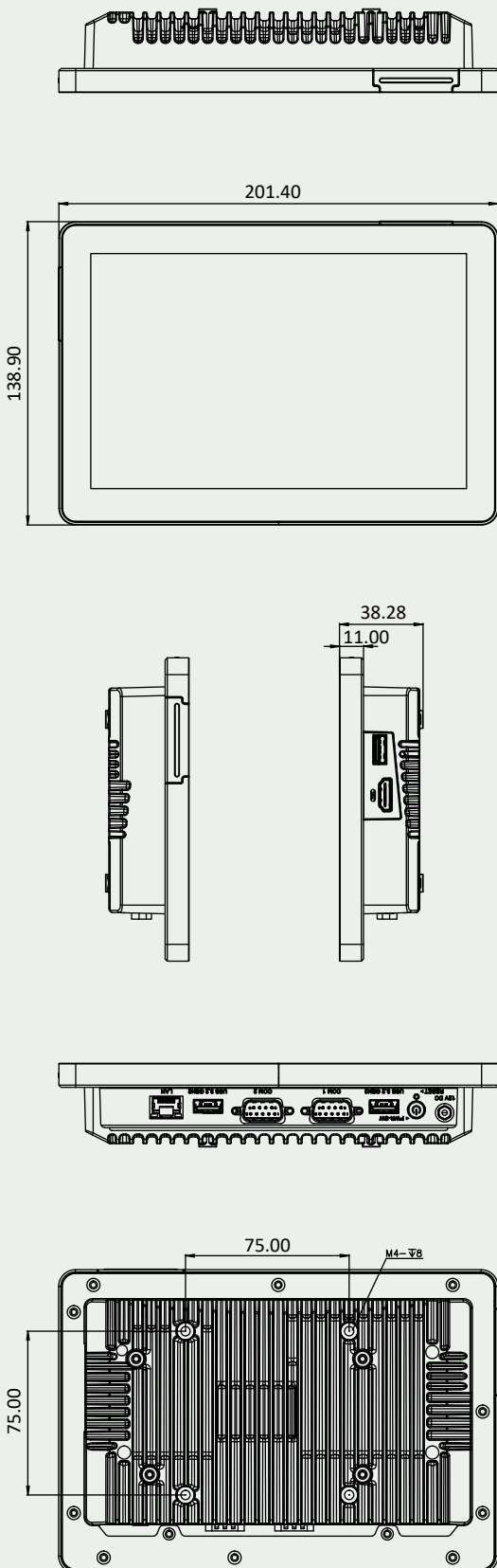
Fully Integrated I/O



Block Diagram



Dimensions (Unit: mm)



Specifications

Model		AFL4-W08-EHL	
LCD	Size	8" (16:10)	
	Resolution (WxH)	1280 x 800	
	Brightness (cd/m ²)	420	
	LCD Color	16.7M	
	Pixel Pitch (mm)	0.135 x 0.135	
	Contrast Ratio	700:1	
	Viewing Angle (H-V)	170°/170°	
	Backlight MTBF	30000 hours	
Touch	Touch Screen	PCAP with USB interface (anti-UV/AG coating)	
	Touch Controller	EETI EXC 81 Series	
Mainboard	SOC	Intel® Celeron® Processor J6412 1.5M Cache, up to 2.60 GHz / TDP 10W	
	RAM	Dual channel 8GB LPDDR4x on board	
	Ethernet	LAN1: Intel® I225-V / I226-V 2.5GbE controller	
	Audio Codec	Realtek ALC888S	
	Storage	-	
	Expansion	1 x M.2 2242 M key (PCIe Gen3 x1 + SATA)	
	I/O Ports & Switch	2 x RS-232/422/485 by DB9 1 x 2.5GbE LAN 2 x USB 3.2 Gen2 1 x USB2.0 1 x HDMI output	1 x 12V DC Jack 1 x Power button 1 x Reset button 1 x AT/ATX switch
Audio	AMP 1.2 W (internal speaker)		
Wireless & Bluetooth	IEEE 802.11 a/b/g/n/ax, Bluetooth V5.2 1 x M.2 2230 A Key Slot (PCIe + USB signal)		
Physical	Body Material	Aluminum die casting+SECC	
	Mounting	Wall, Stand, ARM, VESA 75	
	Color	Silver+Black	
Environment	Operating Temperature (°C) (Ambient with air flow)	-10 ~ 50@50%RH	
	Storage Temperature (°C)	-20 ~ 60@50%RH	
	Humidity	10% to 90%@40°C (non-condensing)	
	Operating Shock	Half-sine wave shock 5G; 11ms; 100 shocks per axis	
	Operating Vibration	MIL-STD-810G 514.5C-1 (with SSD)	
	IP Level	Front panel IP64	
	Safety&EMC	CE/EMC, UKCA, FCC, RED (Class A)	
	Thermal Solution	Fanless	
Power	12V		
ErP	ErP 2009/125/EC		
OS	Windows 10 IoT/Linux		

Packing List

Item	Q'ty
Power cord	1
Power adapter	1
QIG	1

Ordering Information

Part No.	Description
AFL4-W08-EHL-J1/8G-R10	8" 400cd/m ² 1280x800 fanless Panel PC with Intel® Celeron® Processor J6412 (10W) on-board Processor, 8GB LPDDR4 on-board, 802.11a/b/g/n/ac/ax WiFi&Bluetooth® 5.2 module, PCAP touch, R10

Options

Item	Part No.	Description
Arm	ARM-11-RS	VESA 75/100 Desk ARM
Stand	STAND-C12-R10	VESA 75/100 Easy Stand
V-Stand	VSTAND-A07-R11	Stand V Type for AFL series, VESA 75/100
Wall	AFLWK-12	Monitor Wall mounting kit
OS	WIN10-IOTE2019-V-RS	Win10 IoT Ent LTSC 2019 MultiLang OEI Value