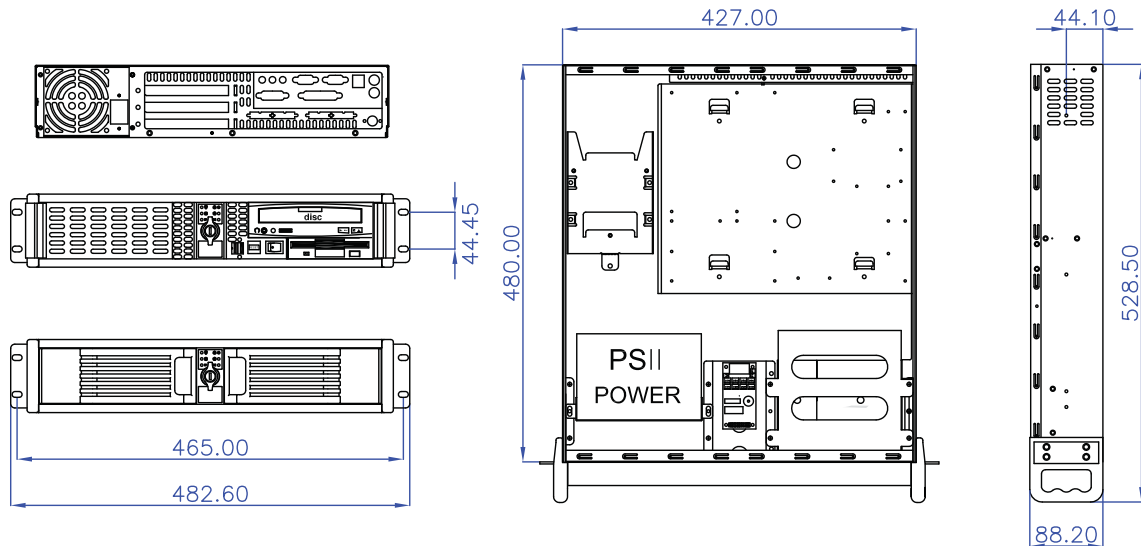


RME2104M 2U RackMount PC

Chassis Specifications

DRAWING



SPECIFICATIONS

Model Number	RME2104M	Speaker	0.4W Built-In
RoHS Compliance Version	Yes	Air Filter	Removable & Washable
Standard Drive Bays	3.5" Drive [Internal]: 2 5.25" Drive: 1 3.5" Drive: 1	Expansion Slots	Standard: 3 x PCI 32bit Optional: 1 x AGP, 2 x PCI
Cooling Fan	2 x 80mm	Material of Front Bezel	Plastic
Mainboard Size [inch]	12 x 10	Material of Handle	SECC Zinc-Coated Steel
Indicators	LEDs for Power ON/OFF, HDD, Fan & Alarm	Material of Main Chassis	1.2mm SECC Zinc-Coated Steel [Japan Made]
Switches	Power ON/OFF, System & Alarm Reset	Color of Front Bezel	Black
Security	Front Bezel	Color of Main Chassis	Black
		Front Connector	Front USB 2.0 x2 Connector
		Dimensions (WxHxD)	19 x 3.5 x 20.8 inch

OPTIONAL ACCESSORIES

Model Number	Page	Model Number	Page
RP-COMBO-SLIM	N/A	DD-200-DR/DS/DBlue/DG	N/A
T-7-SA	158	DD-Fan60	162
TC-Rail-20/24/26	160	TC-iStorm 8	160
RP-HDD3.5	N/A		

POWER SUPPLY OPTIONS

Model Number	Output	Page	Model Number	Output	Page
TC-350PD1	350W	230	TC-700PD2	700W	234
TC-400PD1	400W	230	TC-750PD2	750W	234
TC-500PD1	500W	230			
TC-600PD2	600W	234			
TC-650PD2	650W	234			

:: Specification and wiring diagram subject to change without notice
 :: Limited Warranty
 :: Last Update: Jan/2011

