

# PMS3712A - 12.1" TFT LCD Fanless Touch Panel PC



## Features Highlight

- 12.1" 500nits high brightness TFT LCD with LED Backlight
- Dual Gigabit Ethernet provides continuous network service and allows sharing among different workgroups in two different subnets
- Optional 802.11 b/g wireless kit
- One Slim type CD-ROM Drive bay
- One internal 2.5" SATA HDD and CF slot
- IP 65 compliant aluminum die-casting front panel



The PMS3712 is an all-in-one industrial touch panel pc that features an IP65 compliant front bezel protection and highly integrated embedded board. The PMS3712 supports Intel® Atom N270 low voltage processor. It has a built-in Anti-shock designed enhances protection performance of hard drives dramatically in terms of shock and vibration tests. An on-board watchdog timer and power management makes it suitable for continuously run applications in unattended environments. The high performance super I/O chip in the panel pc provides interface ports, such as two RS232, one RS232/422/485 and two USB2.0 ports to a wide array of external devices. The PMS3712A-N26 provides two RS232, one 422/485, HDMI port and two USB3.0, two USB2.0 ports.

The PMS3712 panel computer is designed specially for applications that require a computing solution providing space serving efficiency and operation capacity in harsh environment.

Broadax Systems, Inc.  
17539 E. Rowland Street  
City of Industry, CA 91748  
Toll Free: 1-800-872-4547  
TEL: 626-964-2600  
FAX: 626-964-2665  
[www.bsicomputer.com](http://www.bsicomputer.com)  
[info@bsicomputer.com](mailto:info@bsicomputer.com)



# PMS3712A - 12.1" TFT LCD Fanless Touch Panel PC



## Specifications

Item No.	PMS3712A-N26	PMS3712A-N270
Front Bezel	IP65 Aluminum Die-Casting Front Bezel	
LCD Size	12.1" TFT LCD	
Touch Screen	5-wire resistive type with RS-232 interface	
Resolution	1280 x 1024	
Brightness	500 Nits	
Contrast Ratio	700:1	
LCD Color	262K	
Pixel Pitch (mm)	0.3075(H) x 0.3075(V)	
Backlight MTBF	50,000 hrs (LED Backlight)	
View Angle(H/V)	160° / 160°	
Chipset	Intel® NM10	Intel 945GSE + ICH7M
CPU Processor	Intel® Atom™ N2600 Dual-core 1.6GHz Processor	Intel® Atom™ N270 1.6GHz Processor
System Memory	1 x 204-pin DDR3 800MHz SO-DIMM (max. 2GB)	1 x 200-pin DDR2 533MHz SO-DIMM (max. 2GB)
I/O Connector	2 x RS232 COM Ports 1 x RS-422/485 Port 2 x RJ-45 for GbE LAN <b>2 x USB3.0, 2 x USB 2.0</b> <b>1 x HDMI Port , 1 x VGA Port</b> 1 x Audio (Line-in, Line-out, MIC-in) 1 x PS/2 (KB/MS) 1 x 12VDC input Power Jack 1 x Power Switch	2 x RS232 COM Ports 1 x RS-232/422/485 Port 2 x RJ-45 for GbE LAN 2 x USB 2.0 1 x VGA Port 1 x Audio (Line-in, Line-out, MIC-in) 1 x PS/2 (KB/MS) 1 x 12VDC input Power Jack 1 x Power Switch
SSD and CD-ROM Drive Bay	1 x mSATA Slim Type CD-ROM Bay	CompactFlash™ type II SATA Slim Type CD-ROM Bay
Drive Bay	1 x 2.5" SATA HDD Bay	
Expansion Slot	1 x PCIe mini card	
Power Supply	Power Adapter 60W Power Adapter Input: 90VAC~264VAC, 50/60Hz Output: 12VDC	
Mounting	Supports Panel, Wall, Rack, Stand and Arm VESA 100mm x 100mm	
Operation Temperature	14°F~122°F (-10°C~50°C)	
Storage Temperature	-4°F~140°F (-20°C~60°C)	
Relative Humidity	5%~95% @ 60°C, non-condensing	
Vibration	5~17Hz, 0.1" double amplitude displacement 17~640Hz, 1.5G acceleration peak to peak	
Shock	10G acceleration part to part (11ms)	
Dimensions(WxHxD)	13.39" x 10.23" x 2.95" (340 x 260 x 74.8 mm)	13.39" x 10.9" x 2.89" (340 x 277 x 73.4 mm)
Net Weight	13.2 lbs (6 Kg)	

# PMS3712 - 12.1" TFT LCD Fanless Touch Panel PC



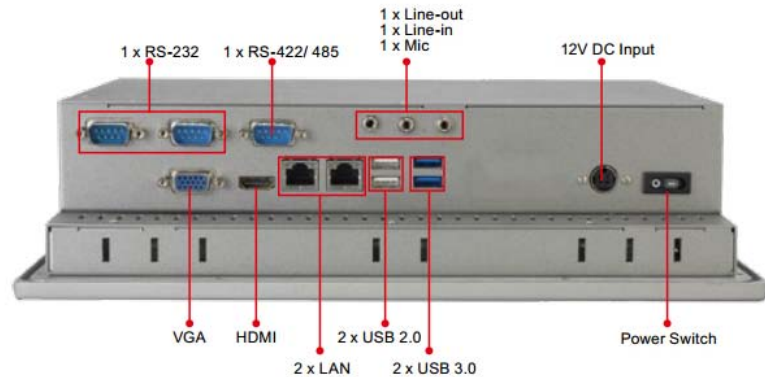
## Detail Views

### PMS3712A-N270 Panel PC I/O View

1. 2 x RS-232  
1 x RS-232/422/485
2. 1 x VGA Port
3. 2 x RJ-45 for LAN Ports
4. 1 x CF Slot
5. 2 x USB 2.0
6. 1 x PS/2 KB/MS Port
7. 1 x Line-in  
1 x Line-out  
1 x Mic-in
8. 12V DC Input
9. Power Switch On/Off



### PMS3712A-N26 Panel PC IO View



# PMS3712A - 12.1" TFT LCD Fanless Touch Panel PC



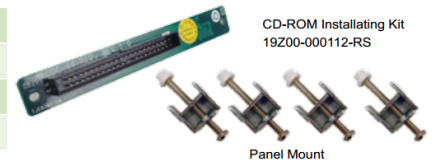
## Detail Views

### Packing List

Item	Part No.	Description
Screw Kit	19600-000207-RS	
SATA CD-ROM Cable	32801-006300-100-RS	SATA 7+6P FEMALE 180°;SATA 7P FEMALE 90°+LOCK;DU PONT 2*4P P=2.54 FEMALE
Power Cord	32702-000200-100-RS	EUROPEAN Standard ,1830MM, PLUG(16A 250V), CONNECTOR(10A 250V)
Power Adapter	63040-010060-050-RS	60W, 90VAC~264VAC for PPC-3712A
	63000-FSP084DMBA1308-RS	84W, 90VAC~264VAC for PPC-3712G
PS/2 Cable	32006-000300-100-RS	1 x MINI DIN 6PIN MALE; 2 x MINI DIN 6PIN FEMALE
Panel Mounting Kit	19200-000024-RS	
Wall Mounting Kit	41014-057602-00-RS	ULTRA SET PLATE
	41020-016102-00-RS	WALL MOUNT BRACKET
IEI One Key Recovery CD	IEI-7B000-000478-RS	
<b>Touch Screen Driver CD / Touch Pen</b>		
User Manual & Driver CD		

### IQ Mounting Options

Item	Part No.
Rack Mount Kit	RK-121MS-R10
ARM	ARM-11-RS
STAND	STAND-100-RS



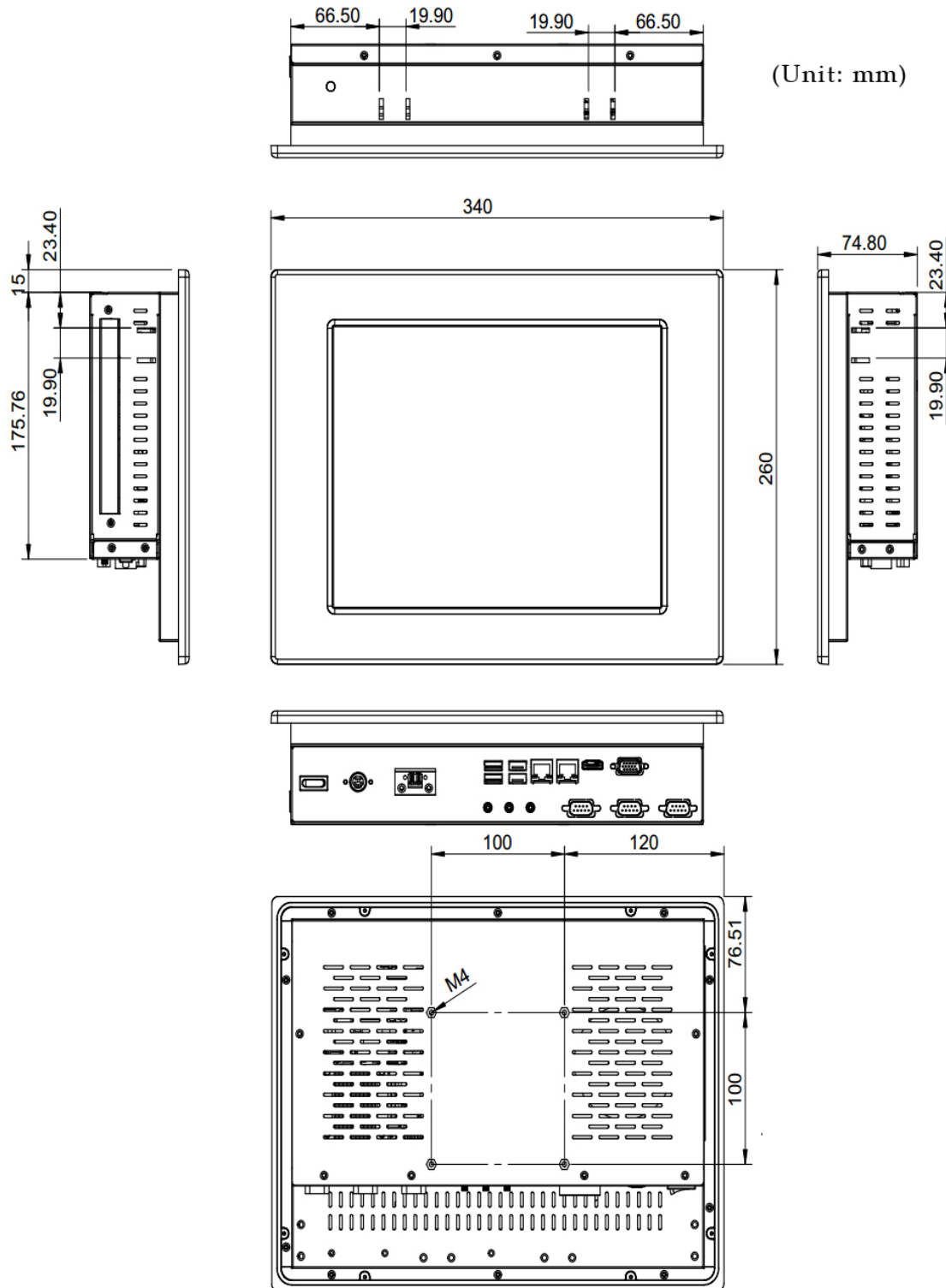
### Options

Item	Part No.	Description
RS-422/485 Cable	32200-075202-RS	(A) D-SUB 9PIN MALE (B) DU PONT 2*7P P=2.0 FEMALE
IDE CD-ROM Installing Kit	19200-000112-RS	50-pin CD ROM connector to 44-pin IDE connector transfer board
HDD IDE Cable	32200-000037-RS	250MM, IDE 44-pin
Wi-Fi module	PPC-WL-KIT02-R10	Wi-Fi module with RF cable and antenna, 2T2R, 802.11 b/g/n for PPC-37xxA-N26 series

# PMS3712A-N26 - 12.1" TFT LCD Fanless Touch Panel PC



## Mechanical Drawing



# PMS3712A-N270 - 12.1" TFT LCD Fanless Touch Panel PC



## Mechanical Drawing

