

PMS3712A - 12.1" TFT LCD Fanless Touch Panel PC



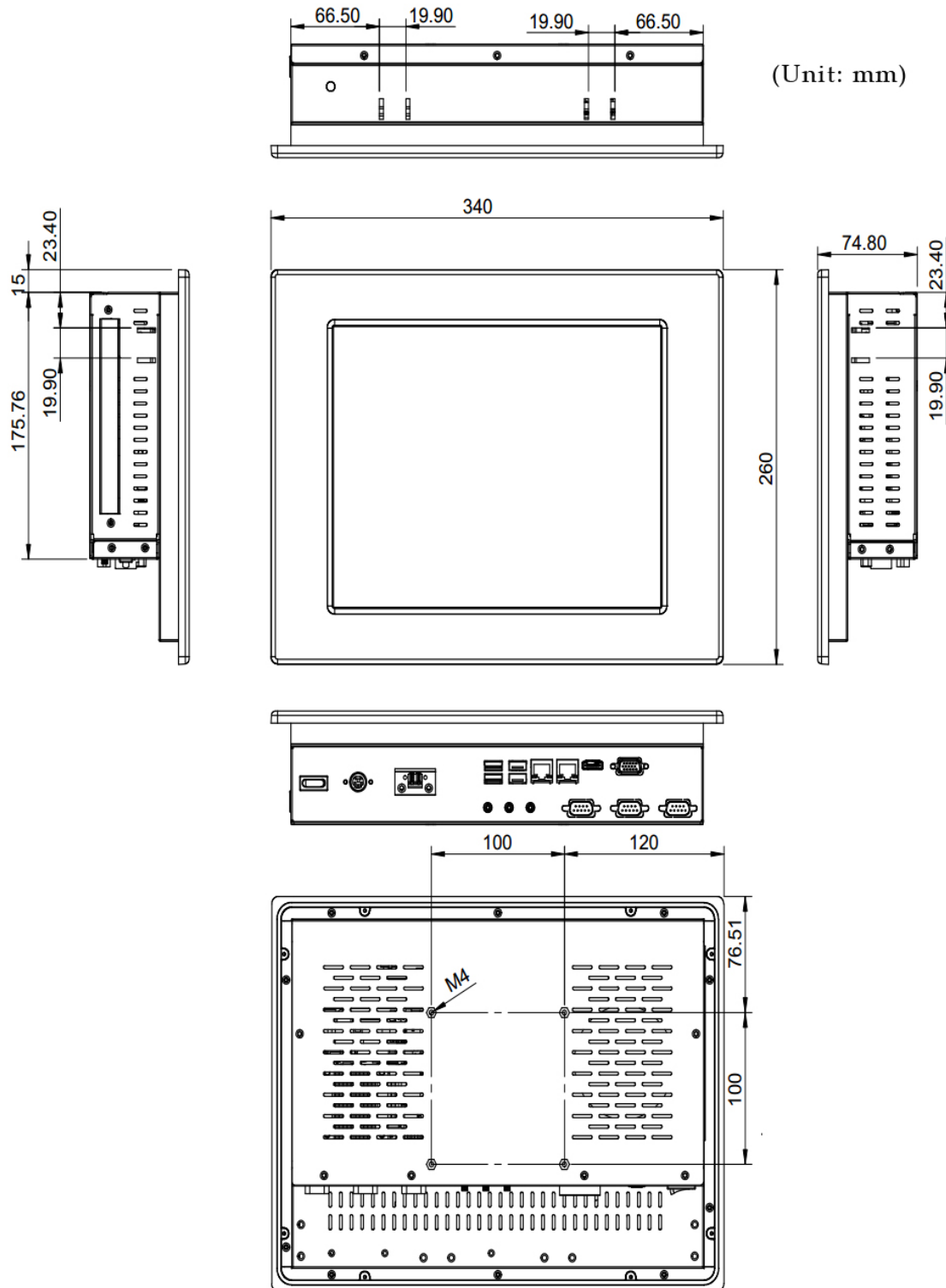
Specifications

Item No.	PMS3712A-N26	PMS3712A-N270
Front Bezel	IP65 Aluminum Die-Casting Front Bezel	
LCD Size	12.1" TFT LCD	
Touch Screen	5-wire resistive type with RS-232 interface	
Resolution	1280 x 1024	
Brightness	500 Nits	
Contrast Ratio	700:1	
LCD Color	262K	
Pixel Pitch (mm)	0.3075(H) x 0.3075(V)	
Backlight MTBF	50,000 hrs (LED Backlight)	
View Angle(H/V)	160° / 160°	
Chipset	Intel® NM10	Intel 945GSE + ICH7M
CPU Processor	Intel® Atom™ N2600 Dual-core 1.6GHz Processor	Intel® Atom™ N270 1.6GHz Processor
System Memory	1 x 204-pin DDR3 800MHz SO-DIMM (max. 2GB)	1 x 200-pin DDR2 533MHz SO-DIMM (max. 2GB)
I/O Connector	2 x RS232 COM Ports 1 x RS-422/485 Port 2 x RJ-45 for GbE LAN 2 x USB 3.0, 2 x USB 2.0 1 x HDMI Port , 1 x VGA Port 1 x Audio (Line-in, Line-out, MIC-in) 1 x PS/2 (KB/MS) 1 x 12VDC input Power Jack 1 x Power Switch	2 x RS232 COM Ports 1 x RS-232/422/485 Port 2 x RJ-45 for GbE LAN 2 x USB 2.0 1 x VGA Port 1 x Audio (Line-in, Line-out, MIC-in) 1 x PS/2 (KB/MS) 1 x 12VDC input Power Jack 1 x Power Switch
SSD and CD-ROM Drive Bay	1 x mSATA Slim Type CD-ROM Bay	CompactFlash™ type II SATA Slim Type CD-ROM Bay
Drive Bay	1 x 2.5" SATA HDD Bay	
Expansion Slot	1 x PCIe mini card	
Power Supply	Power Adapter 60W Power Adapter Input: 90VAC~264VAC, 50/60Hz Output: 12VDC	
Mounting	Supports Panel, Wall, Rack, Stand and Arm VESA 100mm x 100mm	
Operation Temperature	14°F~122°F (-10°C~50°C)	
Storage Temperature	-4°F~140°F (-20°C~60°C)	
Relative Humidity	5%~95% @ 60°C, non-condensing	
Vibration	5~17Hz, 0.1" double amplitude displacement 17~640Hz, 1.5G acceleration peak to peak	
Shock	10G acceleration part to part (11ms)	
Dimensions(WxHxD)	13.39" x 10.23" x 2.95" (340 x 260 x 74.8 mm)	13.39" x 10.9" x 2.89" (340 x 277 x 73.4 mm)
Net Weight	13.2 lbs (6 Kg)	

PMS3712A-N26 - 12.1" TFT LCD Fanless Touch Panel PC



Mechanical Drawing



PMS3712A-N270 - 12.1" TFT LCD Fanless Touch Panel PC



Mechanical Drawing

