

# RMS6062 - Wall Mount Industrial Computer System

## Specifications

### Material of Chassis

### Standard Color

### Front Door

### Front Panel Connector

### Indicators

### Front Panel Controls

### Cooling Fan

### System Board Size

### Drive Bays

### Expansion Slots

### Power Supply

### Net Weight

### Dimension (W x H x D)

### Operation Temperature

### Non-Operating Temperature

### Operating Relative Humidity

### Non-Operating Relative Humidity

## Chassis Features

Heavy-duty Cold-rolled Steel

Black

1 x Front Door with 4 Thumbscrews

2 x USB 2.0 Ports

LEDs for Power On/Off & HDD

Power ON/OFF Momentary (Rocker), System Reset & Buzzer Reset

1 x 120mm

13.3 x 4.8 Inch (Single Board Computer)

1 x 5.25" External Drive Bay

1 x 3.5" External Drive Bay

1 x 3.5" Internal Drive Bay

6 Slots

PS/2 ATX PFC 110/220 VAC Power Supply

25 lbs

12" x 7" x 16.2"

## Environmental

32° to 140°F

-40° to 158°F

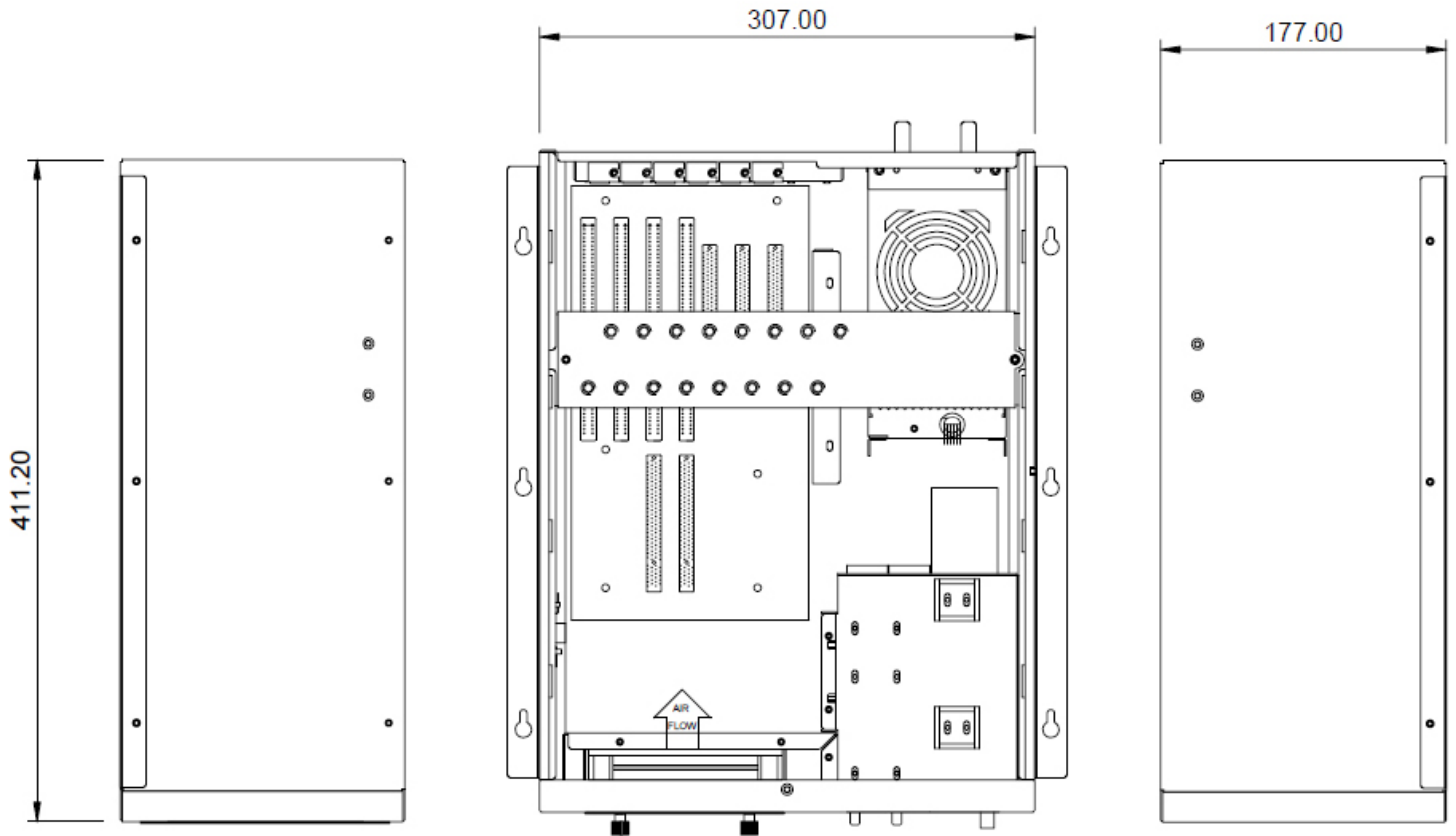
8% to 90% (non-condensing)

5% to 95% (non-condensing)



# RMS6062 - Wall Mount Industrial Computer System

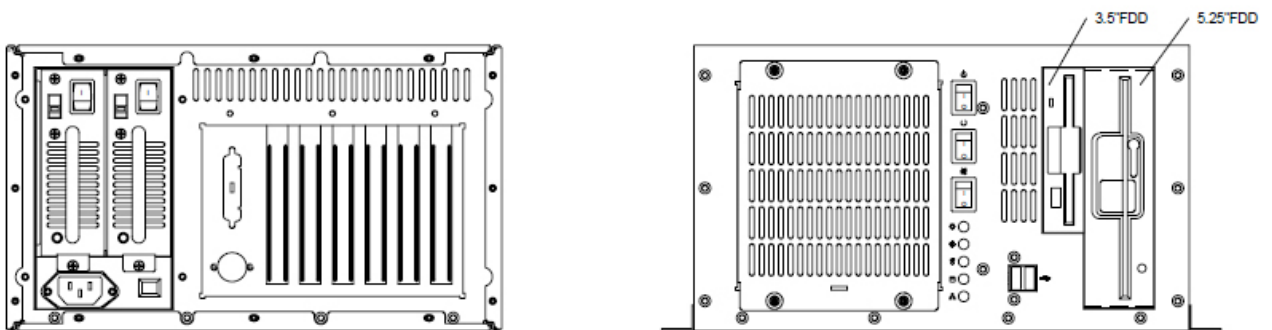
## Mechanical Drawing



Left-side View

Top View

Right-side View



Rear View

Front View