

# Mustang-V100-MX8

NEW



## Feature

- Half-Height, Half-Length, Single-slot compact size
- Low power consumption ,approximate 2.5W for each Intel® Movidius™ Myriad™ X VPU.
- Supported OpenVINO™ toolkit, AI edge computing ready device
- Eight Intel® Movidius™ Myriad™ X VPU can execute multiple topologies simultaneously.



## Specifications

Model Name	Mustang-V100-MX8
Main Chip	Eight Intel® Movidius™ Myriad™ X MA2485 VPU
Operating Systems	Ubuntu 16.04.3 LTS 64bit, CentOS 7.4 64bit, Windows10 64bit (more OS are coming soon)
Dataplane Interface	PCI Express x4 Compliant with PCI Express Specification V2.0
Power Consumption	<30W
Operating Temperature	5°C~55°C (ambient temperature)
Cooling	Active fan
Dimensions Standard	Half-Height, Half-Length, Single-slot PCIe
Operating Humidity	5% ~ 90%
Power Connector	*Preserved PCIe 6-pin 12V external power
Dip Switch/LED indicator	Identify card number
Support Topology	AlexNet, GoogleNet V1/V2/V4, Yolo Tiny V1/V2, Yolo V2/V3, SSD300,SSD512, ResNet-18/50/101/152, DenseNet121/161/169/201, SqueezeNet 1.0/1.1, VGG16/19, MobileNet-SSD, Inception-ResNetv2, Inception-V1/V2/V3/V4,SSD-MobileNet-V2-coco, MobileNet-V1-0.25-128, MobileNet-V1-0.50-160, MobileNet-V1-1.0-224, MobileNet-V1/V2, Faster-RCNN

\*Standard PCIe slot provides 75W power, this feature is preserved for user in case of different system configuration

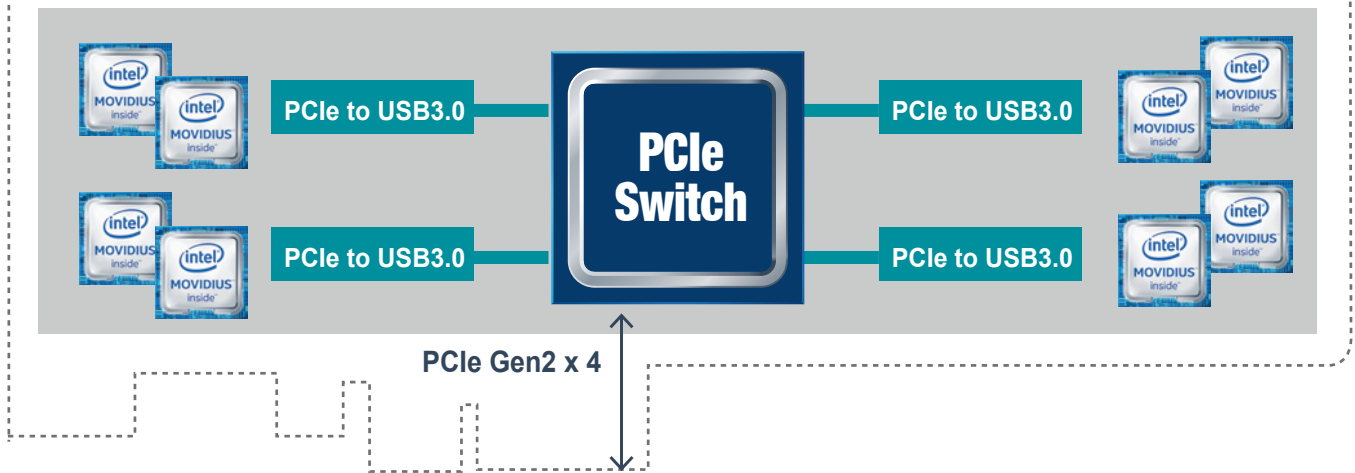
## Ordering Information

Part No.	Description
Mustang-V100-MX8-R10	Computing Accelerator Card with 8 x Movidius Myriad X MA2485 VPU, PCIe Gen2 x4 interface, RoHS

## Packing List

- 1 X Full height bracket
- 1 x External power cable
- 1 x QIG

## Multiple Intel® Movidius™ Myriad™ X Deep Learning Acceleration Add-in Card



### Mustang-V100-MX8 Block Diagram

- Intel® Movidius™ Myriad™ X VPU delivering up to 1 TOPs of dedicated networks compute
  - Interface: PCIe Gen2 x 4
  - Form Factor: Standard Half-Height, Half-Length, Single-slot
  - Cooling: Active fan.
  - Operation Temperature : 5°C~55°C(ambient temperature)
  - Operation Humidity : 5% to 90% relative humidity
  - Power Consumption: < 30W
  - Power Connector: \*Preserved PCIe 6-pin 12V external power
  - DIP Switch/LED Indicator: Identify card number.
- \*Standard PCIe slot provides 75W power, this feature is preserved for user in case of different system configuration

### Mustang-V100-MX8 Dimensions (Unit: mm)

