

TANK-700-QM67 Fanless Embedded Computer System

Specifications

Chassis Construction

Extruded Aluminum Alloys

Color

Black C + Sliver C

CPU

Intel® Core™ i5-2xxE (above 2.5 GHz)
Intel® Core™ i3-2xxE (above 2.2 GHz)
Intel® Celeron® B8xx (above 1.6 GHz)

Storage

2 x 2.5" SATA 3Gb/s HDD/SSD bay

System Chipset

Intel® QM67

System Memory

1 x 204-pin DDR3 SO-DIMM
On-board 2GB DDR3 memory (system max: 10 GB)

Serial Port

4 x RS-232 (DB-9)
2 x RS-232 (RJ-45) with Isolation
2 x 422/485 (RJ-45) with Isolation

Digital I/O

8-bit digital I/O, 4-bit input/4-bit output

USB

2 x USB 3.0
4 x USB 2.0

Ethernet

Intel® 82579 PHY with Intel® iAMT 7.0 supported
Intel® 82583V Ethernet controller
2 x Combo (SFP Fiber / RJ-45)

Display

1 x VGA
1 x HDMI

Resolution

Up to 2048 x 1536 @ 75Hz (VGA), 1920 x 1200 @ 60Hz (HDMI)

Audio

1 x Mic-in, 1 x Line-out

Audio/Video Capture

Optional 4-channel audio/video input PCIe Mini card

Wireless

1 x 3T3R 802.11 a/b/g/n wireless module (Optional)

Interior Expansions

3 x PCIe Mini Slots (One Co-lay mSATA)

CAN-bus

1 x Phoenix terminal block on front side

Power Adapter

90W power adapter
Input: 90VAC-264VAC
Output: 19V DC

Power Supply

Redundant dual DC input
Power 1: 9V (+/-3%) ~ 36V
Power 2: 10.5V (+/-3%) ~ 36V

Power Consumption

19V@3.3A (Intel® Core™ i5-2540M processor with 4G DDR3 memory)

Mounting kit

Wall Mount

Operating Temperature

-4°F ~ 158°F (-20°C ~ 70 °C) with air flow (SSD), 5% ~ 9 5%, non-condensing

Operating Shock

Half-sine wave shock 5G, 11ms, 3 shocks per axis

Operating Vibration

MIL-STD-810F 514.5C-2 (with SSD)

Dimensions(WxHxD)

12.2" x 7.88" x 2.44" (310 x 200 x 62mm)

Net Weight

8.36 lbs (3.8Kg)

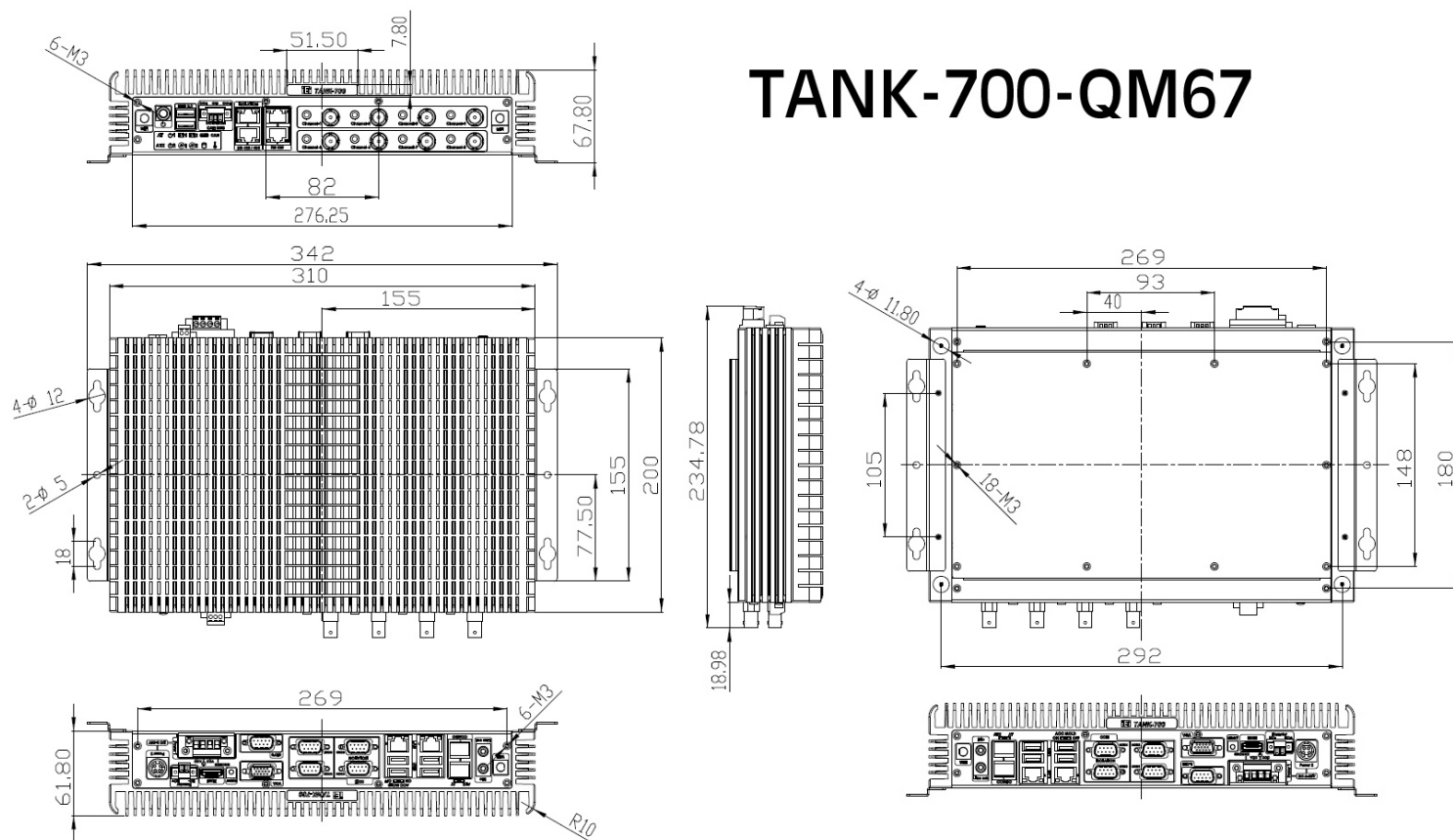
Safety/EMC

CE/FCC



TANK-700-QM67 Fanless Embedded Computer System

Mechanical Drawing



TANK-700-QM67