

Mainstream SuperServer SYS-221P-C9R



More details here

Key Applications

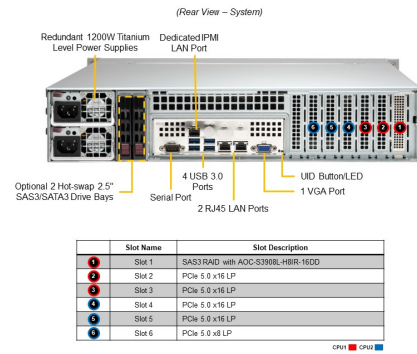
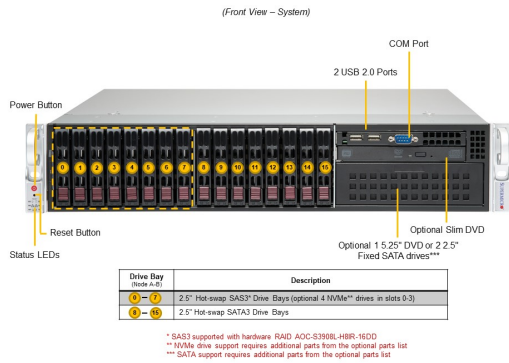
Virtualization, Enterprise Server, Application and data serving, Compute Intensive Applications,

Key Features

- Dual Socket E (LGA-4677) 5th/4th Gen Intel® Xeon® Scalable processors, supports up to 300W TDP;
- 16 DIMM slots, Up to 4TB DDR5-5600MHZ/4800MHz ECC Registered RDIMM;
- 4 PCIe 5.0 x16 Low Profile (LP), 1 PCIe 5.0 x8 Low Profile (LP);
- 16 hotswap 2.5" drive bays with 8 SAS RAID (0, 1, 5, 6, 10, 50, 60) and 8 SATA drive support;
- 1200W Redundant Titanium level Power Supplies;



Form Factor	2U Rackmount Enclosure: 437 x 89 x 630mm (17.2" x 3.5" x 24.8") Package: 737 x 279 x 983mm (29" x 11" x 38.7")
Processor	Dual Socket E (LGA-4677) 5th Gen Intel® Xeon® / 4th Gen Intel® Xeon® Scalable processors
System Memory	Slot Count: 16 DIMM slots Max Memory (1DPC): Up to 4TB 5600MT/s ECC DDR5 RDIMM
Drive Bays Configuration	Default: Total 16 bay(s) <ul style="list-style-type: none"> • 4 front hot-swap 2.5" NVMe*/SAS drive bay(s) • 4 front hot-swap 2.5" SAS drive bay(s) • 8 front hot-swap 2.5" SATA drive bay(s) (*NVMe support may require additional storage controller and/or cables, please see the optional parts list for details) M.2: 2 M.2 NVMe slot(s) (M-key) Peripheral Bays: 1 slim DVD bay(s) (optional)
Expansion Slots	PCI-Express (PCIe) Configuration: Default <ul style="list-style-type: none"> • 4 PCIe 5.0 x16 LP slot(s) • 1 PCIe 5.0 x8 LP slot(s) M.2: 2 M.2 PCIe 4.0 x2 NVMe slot(s) (M-key)
On-Board Devices	Chipset: Intel® C741 Network Connectivity: 2 RJ45 1GbE IPMI: Support for Intelligent Platform Management Interface v.2.0 IPMI 2.0 with virtual media over LAN and KVM-over-LAN support
Input / Output	LAN: 1 RJ45 1 GbE Dedicated BMC LAN port(s) USB: 2 USB 2.0 port(s) (front) 4 USB 3.0 port(s) (rear) Video: 1 VGA port(s) Serial: 1 COM port(s) (Rear) 1 COM port(s) (Front) DOM: 2 SuperDOM (Disk on Module) port(s) TPM: 1 TPM Onboard/port 80



System Cooling	Fans: 3x 8cm heavy duty fans with optimal fan speed control
Power Supply	1200W Redundant Titanium Level power supplies
System BIOS	BIOS Type: AMI 32MB SPI Flash EEPROM
Management	Redfish API; Supermicro Server Manager (SSM); Supermicro Power Manager (SPM); Supermicro Update Manager (SUM); SuperDoctor® 5; Super Diagnostics Offline ; KVM with dedicated LAN ; IPMI 2.0
PC Health Monitoring	CPU: Monitors for CPU Cores, Chipset Voltages, Memory FAN: Fans with tachometer monitoring Status monitor for speed control Pulse Width Modulated (PWM) fan connectors Temperature: Monitoring for CPU and chassis environment Thermal Control for fan connectors
Dimensions and Weight	Weight: Gross Weight: 63 lbs (28.8 kg) Net Weight: 38 lbs (17.4 kg) Available Color: Black
Operating Environment	RoHS Compliant Operating Temperature: 10°C ~ 35°C (50°F ~ 95°F) Non-operating Temperature: -30°C to 60°C (-40°F to 140°F) Operating Relative Humidity: 8% to 80% (non-condensing) Non-operating Relative Humidity: 8% to 90% (non-condensing)
Motherboard	Super X13DEI
Chassis	CSE-213BTS-R1K23LPBP3-1