

PPC-5150A-H61 15" TFT LCD Industrial Touch Panel PC



Features Highlight

- Intel® H61 Express Chipset with 2nd/3rd generation Intel® Core™, Pentium® and Celeron® processor
- High brightness TFT-LCD panel with LED backlight
- Multiple storage options: 2.5" SATA HDD, CF slot, and mSATA
- System memory supports two DDR3 SO-DIMMs Slots up to 16 GB
- Offers one expansion slot for PCI/PCIe x1 add-on cards
- Optional PCIe Mini 802.11b/g/n wireless module
- Optional Slim type CD-ROM drive bay
- IP 66 compliant front panel, Robust aluminum front bezel and metal casing
- Dual gigabit Ethernet
- Versatile mounting solution: Panel, Wall, Rack, Stand and Arm VESA 100mm x 100mm



PPC-5150A-H61 is an expandable industrial panel PC with IP66 aluminum front bezel. Intel® H61 Express Chipset with 2nd/3rd generation Intel® Core™, Pentium® and Celeron® processor, anti-shock hard drive, one PCI or PCIe x1 expansion slot, five COM ports and four USB2.0 ports, two USB3.0 port, SFP Fiber LAN, and two gigabit Ethernet LAN port. This panel PC is designed specially for applications that require a computing solution providing space serving efficiency and operation capacity in harsh environment.

Broadax Systems, Inc.
17539 E. Rowland Street
City of Industry, CA 91748
Toll Free: 1-800-872-4547
TEL: 626-964-2600
FAX: 626-964-2665
www.bsicomputer.com
info@bsicomputer.com



GS-35F-0496K

PPC-5150A-H61 15" TFT LCD Industrial Touch Panel PC



Specifications

Item No.	PPC-5150A-H61										
Front Bezel	IP 66 Aluminum front bezel, Heavy-duty Steel Chassis, Color: Silver										
LCD Size	15" TFT LCD										
Touch Screen	Realtek RTL8111E PCIe GbE controller supporting ASF 2.0										
Resolution	1024 x 768										
Brightness	400 nits										
Contrast Ratio	700:1										
LCD Color	16.2M										
Pixel Pitch(mm)	0.297(H) x 0.297(V)										
Backlight MTBF	50,000 hrs (LED backlight)										
Viewing Angle(H/V)	160°/140°										
Chipset	Intel® H61 Chipset										
CPU Processor	2nd/3rd Generation Intel® Core™ Core™ i7/ i5/ i3, Pentium® and Celeron® processor										
System Memory	2 x 204-pin DDR3 SO-DIMM Slots Memory (Max. 16G)										
I/O Connector	<table border="0"> <tr> <td>4 x RS-232 COM Port</td> <td>1 x Audio (Line-out, MIC-in)</td> </tr> <tr> <td>1 x RS-232/422/485 Port</td> <td>2 x SFP Fiber LAN</td> </tr> <tr> <td>2 x RJ-45 for LAN Port</td> <td>1 x Power Switch</td> </tr> <tr> <td>4 x USB 2.0, 2 x USB 3.0 on rear</td> <td>1 x AT / ATX Switch</td> </tr> <tr> <td>1 x VGA Port</td> <td>1 x PCI/PCIe Slot</td> </tr> </table>	4 x RS-232 COM Port	1 x Audio (Line-out, MIC-in)	1 x RS-232/422/485 Port	2 x SFP Fiber LAN	2 x RJ-45 for LAN Port	1 x Power Switch	4 x USB 2.0, 2 x USB 3.0 on rear	1 x AT / ATX Switch	1 x VGA Port	1 x PCI/PCIe Slot
4 x RS-232 COM Port	1 x Audio (Line-out, MIC-in)										
1 x RS-232/422/485 Port	2 x SFP Fiber LAN										
2 x RJ-45 for LAN Port	1 x Power Switch										
4 x USB 2.0, 2 x USB 3.0 on rear	1 x AT / ATX Switch										
1 x VGA Port	1 x PCI/PCIe Slot										
HDD Drive Bay	1 x 2.5" SATA HDD bay with anti-shook										
SSD	CF Type II, mSATA (optional)										
CD-ROM Driver Bay	Optional Slim Type CD-ROM Bay										
Expansion Slot	Either 1 x PCI slot or 1 x PCIe slot, 1 x PCIe Mini card										
Wireless Connection	Optional PCIe Mini 802.11b/g/n wireless module										
Power Supply	<p>AC Input: 220W 90-264VAC ATX Power Supply, Output(max.): 3.3V@14A, 5V@16A, 12V@10A, -12V@0.8A</p> <p>DC Input: Optional 200W 24VDC(18~36 VDC) Power Supply, Output(max.): 3.3V@12A, 5V@12A, 12V@15.4A, -12V@0.5A</p>										
Mounting	Supports Panel, Wall, Rack, Stand or Arm VESA 100 x 100mm										
Operation Temperature	<p>-4°F ~ 140°F (-20°C ~ 60°C)</p> <p>Storage: -22°F ~ 158°F (-30°C ~ 70°C)</p>										
Vibration	5~17Hz, 0.1 double amplitude displacement 17~640Hz 1.5G acceleration peak to peak										
Shock	10G acceleration part to part (11ms)										
Dimensions(WxHxD)	16.14" x 12.17" x 4.35" (410 x 309 x 110.5mm)										
Net Weight	15.4 lbs(7.0Kg)										

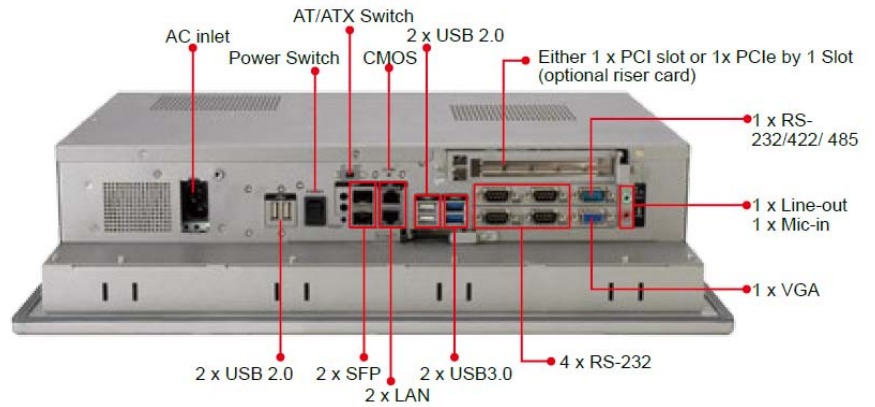
PPC-5150A-H61 15" TFT LCD Industrial Touch Panel PC



Detail Views

PPC-5150A-H61
Industrial Touch Panel PC

I/O view



PPC-5150A-H61 15" TFT LCD Industrial Touch Panel PC



Detail Views

Packing List

Item	Part No.	Description
User's Manual CD-ROM		
SATA CD-ROM Cable	32803-000300-100-RS	SLIMLINE SATA 7+6 P TO SATA 7P /4P POWER ,L=200/150mm.
Power Cord	32000-000002-RS	EUROPEAN Standard ,1830MM, PLUG(16A 250V), CONNECTOR(10A 250V)
Panel Mount Kit	19Z00-000024-RS	
Wall Mount Kit	41020-016102-00-RS	
IEI One Key Recovery CD	IEI-7B000-000478-RS	
Touch Pen		

IQ Mounting Options

Item	Part No.
Rack Mount Kit	RK150MS-R10
ARM	ARM-31-RS
STAND	STAND-210-R11

Options

Part Number	Description
19Z00-000112-RS	IDE CD-ROM Installation Kit (W/O IDE cable)
41019-0393C0-00-RS	IDE HDD Bracket
32200-000037-RS	25cm HDD IDE Cable
PPC-WL-KIT03-R10	Wi-Fi module with RF cable and antenna, 2T2R, 802.11 b/g/n for PPC-5190A-H61
73400-AD7760H01-RS	Slim type SATA DVD-ROM

PPC-5150A-H61 15" TFT LCD Industrial Touch Panel PC



Mechanical Drawing

(Unit: mm)

