

# AFL2-W21A-H61 21.5" Flat-bezel Touch Panel PC



## Features Highlight

- Two 204-pin DDR3 SO-DIMM slot (system max. 16GB) pre-installed with 4GB (2GB x 2)
- Projected capacitive touchscreen supported
- Wi-Fi 802.11b/g/n 2T2R high speed wireless
- EM or Mifare RFID reader (Optional)
- Programmable colorful LED light bar (Optional)
- Built-in two 3W speakers and microphone
- Auto dimming control
- Light fanless design
- Wide range 9~36 VDC input



AFL2-W21A-H61 is a high performance AFOLUX GEN2 touch panel computer that supports low power consumption Intel Core i7/ i5/ i3 and Pentium processor, up to 16GB DDR3 memory, dual Gigabit LAN, three COM ports, two USB3.0 ports, three USB2.0 ports, optional EM or Mifare RFID reader, built-in IEEE802.11 b/g/n wireless module.

AFL2-W21A-H61 touch panel computer is designed to provide cost-effective and versatile solutions for a wide variety of industrial and commercial applications enabling you to fully maximize your business potential.

Broadax Systems, Inc.  
17539 E. Rowland Street  
City of Industry, CA 91748  
Toll Free: 1-800-872-4547  
TEL: 626-964-2600  
FAX: 626-964-2665  
[www.bsicomputer.com](http://www.bsicomputer.com)  
[info@bsicomputer.com](mailto:info@bsicomputer.com)



# AFL2-W21A-H61 21.5" Flat-bezel Touch Panel PC



## Specifications

<b>Item No.</b>	<b>AFL2-W21A-H61</b>														
<b>Front Bezel</b>	IP 64 ABS + PC Plastic front bezel and rear cover														
<b>LCD Size</b>	W21.5" (16:9)														
<b>Touch Screen</b>	Projected capacitive type with USB interface Touch Screen														
<b>Resolution</b>	1920 x 1080														
<b>Brightness</b>	250 nits														
<b>Contrast Ratio</b>	1000:1														
<b>LCD Color</b>	16.7M														
<b>Pixel Pitch(mm)</b>	0.24825(H) x 0.24825(V)														
<b>Backlight MTBF</b>	30,000 hrs(LED Backlight)														
<b>Viewing Angle(H/V)</b>	170° / 160°														
<b>Chipset</b>	Intel® H61														
<b>CPU Processor</b>	2nd Generation Intel® Core™ i7/ i5/ i3 and Pentium® processor														
<b>System Memory</b>	Supports two 204-pin DDR3 SO-DIMM slot (Max. 16GB)														
<b>I/O Connector</b>	<table border="0"> <tr> <td>2 x RS-232</td> <td>1 x Line-out, 1 x Mic</td> </tr> <tr> <td>1 x RS-422/485</td> <td>Power switch</td> </tr> <tr> <td>2 x GbE LAN</td> <td>AT/ATX switch</td> </tr> <tr> <td>2 x USB 3.0</td> <td>Reset button</td> </tr> <tr> <td>3 x USB 2.0</td> <td>Clear CMOS button</td> </tr> <tr> <td>1 x VGA port</td> <td>9 ~ 36V DC Jack</td> </tr> <tr> <td>1 x HDMI port</td> <td>1 x Type K</td> </tr> </table>	2 x RS-232	1 x Line-out, 1 x Mic	1 x RS-422/485	Power switch	2 x GbE LAN	AT/ATX switch	2 x USB 3.0	Reset button	3 x USB 2.0	Clear CMOS button	1 x VGA port	9 ~ 36V DC Jack	1 x HDMI port	1 x Type K
2 x RS-232	1 x Line-out, 1 x Mic														
1 x RS-422/485	Power switch														
2 x GbE LAN	AT/ATX switch														
2 x USB 3.0	Reset button														
3 x USB 2.0	Clear CMOS button														
1 x VGA port	9 ~ 36V DC Jack														
1 x HDMI port	1 x Type K														
<b>Expansion Slot</b>	1 x PCIe Mini slot for Wi-Fi 1 x PCIe Mini slot reserved														
<b>Drive Bay</b>	1 x 2.5" SATA HDD bay 1 x Slim Type DVD-ROM bay														
<b>Camera</b>	Built-in 2-megapixel Camera with low light function and Digital Microphone														
<b>LED Light Bar</b>	Programmable R/G/B colorful LED Light Bar (SMBus Control)														
<b>RFID and MSR Card Reader</b>	EM 125 KHz or Mifare 13.56 MHz card reader (optional) MSR card reader (optional)														
<b>Audio</b>	Amplifier 3W + 3W														
<b>Wireless Connection</b>	IEEE 802.11b/g/n 2T2R module														
<b>Function Keys</b>	<b>6 x function keys:</b> Key1 Backlight On/Off, Key2 Audio -, Key3 Audio +, Key4 Brightness -, Key5 Brightness+, Key6 Fn <b>Combinations:</b> Fn+Key1 RFID Enable/Disable, Fn+Key2 Audio Mute, Fn+Key3 Camera Enable/Disable, Fn+Key5 Power ON/OFF														
<b>Light Sensor</b>	Ambient light sensor for panel brightness adjustment														
<b>Power Supply</b>	120W Power Adapter, Input: 100VAC~240VAC @ 50/60Hz, Output: 19VDC														
<b>Power Consumption</b>	19V@3.82A (Intel® Core™ i3-2120T processor with 4GB DDR3 memory)														
<b>Mounting</b>	Supports Wall, Stand, VESA 100 x 100mm														
<b>Operation Temperature</b>	14°F ~ 122°F (-10°C ~ 50°C)														
<b>Storage Temperature</b>	-4°F ~ 140°F (-20°C ~ 60°C)														
<b>Dimensions(WxHxD)</b>	21.53" x 13.6" x 2.77" (546.85 x 345.82 x 70.35 mm)														
<b>Net Weight</b>	18.2 lbs (8.27kg)														
<b>Safety and EMC</b>	CE & FCC														

# AFL2-W21A-H61 21.5" Flat-bezel Touch Panel PC



## Detail Views

### AFL2-W21A-H61 Touch Panel PC I/O View

1. Power Switch
2. Reset
3. 2 x RS-232
4. HDMI
5. VGA
6. 9-36V DC-Jack
7. 1 x Gigabit Ethernet
8. 1 x RS-422/485
9. 2 x USB3.0
10. 2 x USB2.0



### Options

Item	AFL2-W21A-H61
Panel Mount Kit	AFL2PK-W21A
Wall Mounting Kit	AFLWK-19B
Stand	STAND-A21-R10
ARM	ARM-31-RS
Slim DVD Burner Installation Kit (Including SATA Cable)	AFL2-DVD-KIT01-R10
Hybrid Card Reader (MSI only for AFL2-W21AB series)	AFL2P-21AMSI-U-R10
Magnetic Stripe Reader	AFL2P-21AMSR-U-R10
Bluetooth Module Kit	AFL2-BT-KIT01-R11
Trusted Platform Module (TPM)	TPM-IN01-R11
EM RFID Reader	AFL2-EM-RFID-KIT03-R10
Mifare RFID Reader	AFL2-MF-RFID-KIT01-R11
OS: Windows® XP Embedded (CD-ROM)	AFL2-W21-H61-XPE-R10
OS: Debian Linux (CD-ROM)	AFL2-W21-H61-LNX-R10
OS: Windows® Embedded Standard 7 (DVD-ROM)	AFL2-W21-H61-WES7P-R10
Temperature Sensor Cable	32133-004300-100-RS

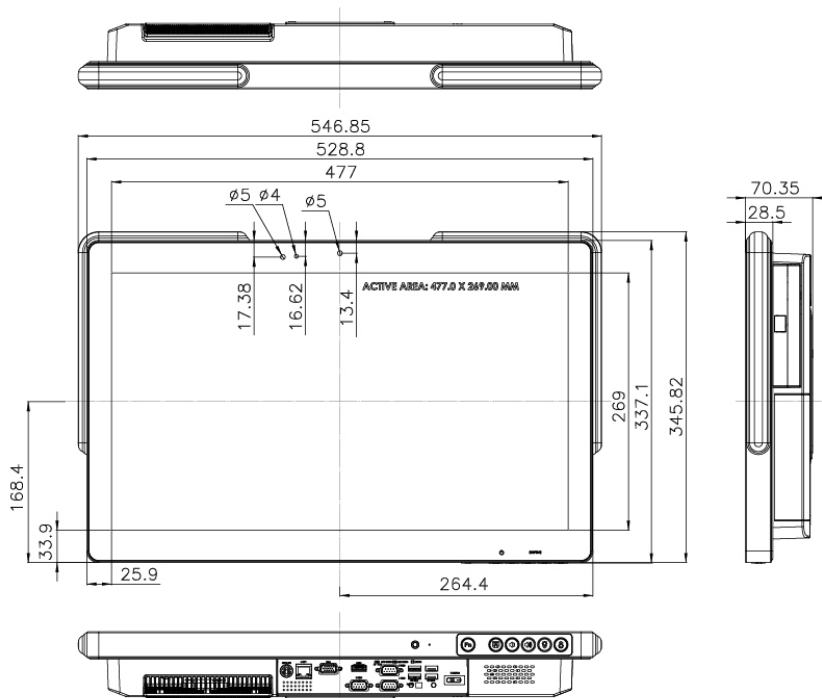
### Packing List

Item	P/N	Q'ty	Description
Utility CD	7B000-000952-RS	1	drivers and user manual
One Key Recovery CD	7B000-000781-RS	1	
Power Adapter	63000-FSP120AAB-RS	1	FSP120-AAB ; 90~264VAC input ; 120W ; 19VAC output
Power Cord	32702-000401-100-RS	1	European, 1500mm
Power Transfer Cord	32000-089400-RS	1	
Infrared Remote Controller	7Z000-SLPCB005-RS	1	
M3 Screw Pack	44013-030041-RS	4	M3 x 4 for securing HDD
M4 Screw Pack	44033-040061-RS	4	M4 x 4 for VESA screw

# AFL2-W21A-H61 21.5" Flat-bezel Touch Panel PC



## Mechanical Drawing



## AFL2-W21A-H61 Dimensions (Unit: mm)

