

AFL2-W21A-H61 21.5" Flat-bezel Touch Panel PC



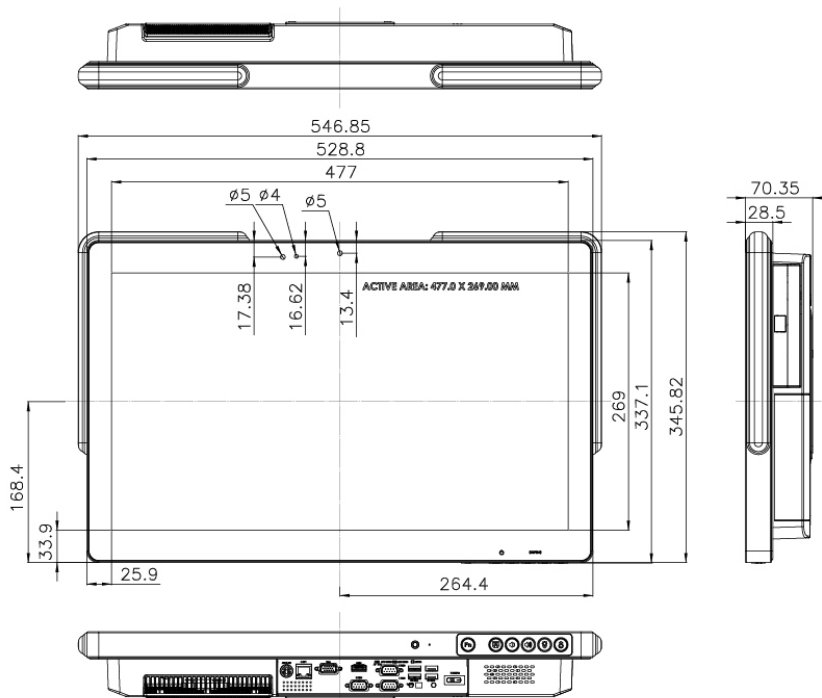
Specifications

Item No.	AFL2-W21A-H61														
Front Bezel	IP 64 ABS + PC Plastic front bezel and rear cover														
LCD Size	W21.5" (16:9)														
Touch Screen	Projected capacitive type with USB interface Touch Screen														
Resolution	1920 x 1080														
Brightness	250 nits														
Contrast Ratio	1000:1														
LCD Color	16.7M														
Pixel Pitch(mm)	0.24825(H) x 0.24825(V)														
Backlight MTBF	30,000 hrs(LED Backlight)														
Viewing Angle(H/V)	170° / 160°														
Chipset	Intel® H61														
CPU Processor	2nd Generation Intel® Core™ i7/ i5/ i3 and Pentium® processor														
System Memory	Supports two 204-pin DDR3 SO-DIMM slot (Max. 16GB)														
I/O Connector	<table border="0"> <tr> <td>2 x RS-232</td> <td>1 x Line-out, 1 x Mic</td> </tr> <tr> <td>1 x RS-422/485</td> <td>Power switch</td> </tr> <tr> <td>2 x GbE LAN</td> <td>AT/ATX switch</td> </tr> <tr> <td>2 x USB 3.0</td> <td>Reset button</td> </tr> <tr> <td>3 x USB 2.0</td> <td>Clear CMOS button</td> </tr> <tr> <td>1 x VGA port</td> <td>9 ~ 36V DC Jack</td> </tr> <tr> <td>1 x HDMI port</td> <td>1 x Type K</td> </tr> </table>	2 x RS-232	1 x Line-out, 1 x Mic	1 x RS-422/485	Power switch	2 x GbE LAN	AT/ATX switch	2 x USB 3.0	Reset button	3 x USB 2.0	Clear CMOS button	1 x VGA port	9 ~ 36V DC Jack	1 x HDMI port	1 x Type K
2 x RS-232	1 x Line-out, 1 x Mic														
1 x RS-422/485	Power switch														
2 x GbE LAN	AT/ATX switch														
2 x USB 3.0	Reset button														
3 x USB 2.0	Clear CMOS button														
1 x VGA port	9 ~ 36V DC Jack														
1 x HDMI port	1 x Type K														
Expansion Slot	1 x PCIe Mini slot for Wi-Fi 1 x PCIe Mini slot reserved														
Drive Bay	1 x 2.5" SATA HDD bay 1 x Slim Type DVD-ROM bay														
Camera	Built-in 2-megapixel Camera with low light function and Digital Microphone														
LED Light Bar	Programmable R/G/B colorful LED Light Bar (SMBus Control)														
RFID and MSR Card Reader	EM 125 KHz or Mifare 13.56 MHz card reader (optional) MSR card reader (optional)														
Audio	Amplifier 3W + 3W														
Wireless Connection	IEEE 802.11b/g/n 2T2R module														
Function Keys	6 x function keys: Key1 Backlight On/Off, Key2 Audio -, Key3 Audio +, Key4 Brightness -, Key5 Brightness+, Key6 Fn Combinations: Fn+Key1 RFID Enable/Disable, Fn+Key2 Audio Mute, Fn+Key3 Camera Enable/Disable, Fn+Key5 Power ON/OFF														
Light Sensor	Ambient light sensor for panel brightness adjustment														
Power Supply	120W Power Adapter, Input: 100VAC~240VAC @ 50/60Hz, Output: 19VDC														
Power Consumption	19W@3.82A (Intel® Core™ i3-2120T processor with 4GB DDR3 memory)														
Mounting	Supports Wall, Stand, VESA 100 x 100mm														
Operation Temperature	14°F ~ 122°F (-10°C ~ 50°C)														
Storage Temperature	-4°F ~ 140°F (-20°C ~ 60°C)														
Dimensions(WxHxD)	21.53" x 13.6" x 2.77" (546.85 x 345.82 x 70.35 mm)														
Net Weight	18.2 lbs (8.27kg)														
Safety and EMC	CE & FCC														

AFL2-W21A-H61 21.5" Flat-bezel Touch Panel PC



Mechanical Drawing



AFL2-W21A-H61 Dimensions (Unit: mm)

