

PMS7927 - 17" TFT LCD Fanless Touch Panel PC



Features Highlight

- 17" 1280 x 1024 TFT LCD
Slim Fanless Touch Panel PC
- Intel® Atom™ D2550
1.86GHz Processor
- Intel® NM10 Chipset
- Totally Fanless and Quiet
Design
- Supports 1 x 2.5" SATA Hard
Drive
- Optional Wireless LAN
Module
- Support CFast Card Slot
- IP65 Compliant Front Panel



The PMS7927 is a 17" 350nits all-in-one industrial fanless touch panel PC that features IP65 rating aluminum front bezel, Intel® Atom™ D2550 processor onboard, up to 4GB DDR3 SO-DIMM memory and built-in dual gigabit Ethernet ports. The PMS7927 fanless touch panel PC is equipped with four COM ports and four USB 2.0 ports to a wide array of external devices, The PMS7927 provides one mini PCIe slot and one CFast card slot for expansion.

Broadax Systems, Inc.
17539 E. Rowland Street
City of Industry, CA 91748
Toll Free: 1-800-872-4547
TEL: 626-964-2600
FAX: 626-964-2665
www.bsicomputer.com
info@bsicomputer.com



GS-35F-0496K

PMS7927 - 17" TFT LCD Fanless Touch Panel PC



Specifications

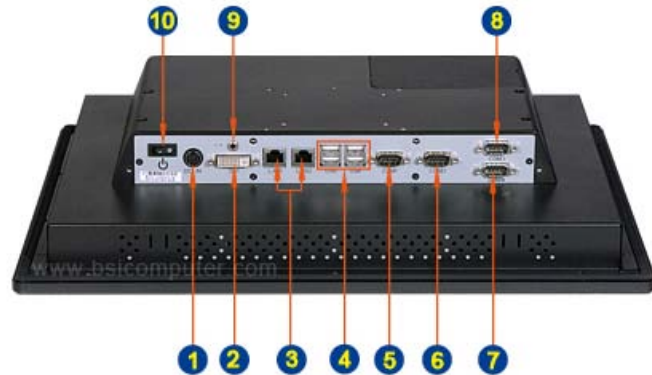
Item No.	PMS7927
Front Bezel	IP65 Aluminum Front Bezel
LCD Size	17" SXGA TFT LCD, LED Backlight
Touch Screen	(ELO) 5W Analog resistive (USB interface)
Resolution	1280 x 1024 pixels
Brightness(cd/m ²)	350 nits
Chipset	Intel® NM10 Chipset
CPU Processor	On Board Intel® D2550 1.86 GHz Processor, 1M Cache
System Memory	1 x DDR3 1067MHz SO-DIMM Memory (max. 4GB)
I/O Connector	4 x COM Port, (COM 1/2/3 with RI/5V/12V), COM 1/4 for RS232, COM 2/3 for RS232/422/485 1 x DVI-I 4 x USB 2.0 2 x 10/100/1000 Mbps Ethernet 1 x Audio (Mic-in/Line-out)
Drive Bay	1 x 2.5" SATA HDD
Watchdog Timer	1~255 sec.
Wireless Connection	Wireless LAN Module (Optional)
Expansion Slot	1 x CFast Slot 1 x Mini PCIe Slot
Power Supply	DC-in 9~36V
Operation Temperature	32°F -113°F (0°C-45°C) with HDD 32°F -131°F (0°C-55°C) with CFast Card
Relative Humidity	20%~90%
Mounting Kit	Supports VESA 75/100mm
Dimensions(WxHxD)	17.64" x 13.86" x 3.35" (448 x 352 x 85mm)
Net Weight	16.56 lbs (7.53 kg)
EMC	CE/FCC

PMS7927 - 17" TFT LCD Fanless Touch Panel PC

Detail Views

PMS7927 Touch Panel PC I/O View

1. 9~36V DC Input
2. DVI-I
3. 2 x Gigabit Ethernet Ports
4. 4 x USB 2.0 Ports
5. 1 x RS-232
6. 1 x RS-232/422/485
7. 1 x RS-232
8. 1 x RS-232/422/485
9. 1 x Audio (Line-Out)
10. Power Switch



PMS7927 Touch Panel PC Rear View

1. VESA 75mm / 100 mm Support
2. HDD Drive Bay



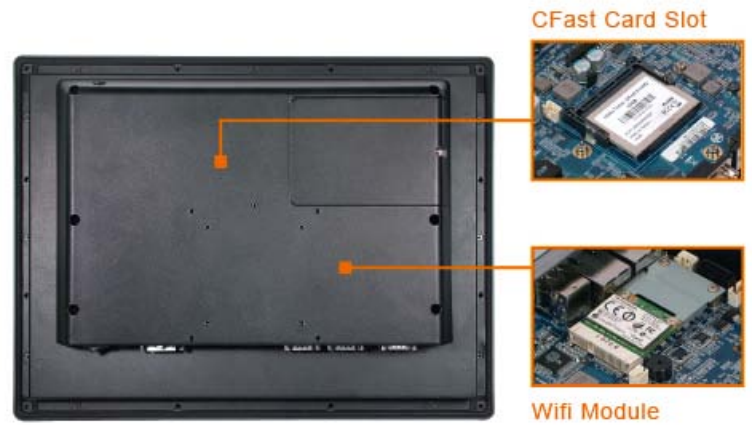
PMS7927 - 17" TFT LCD Fanless Touch Panel PC



Detail Views

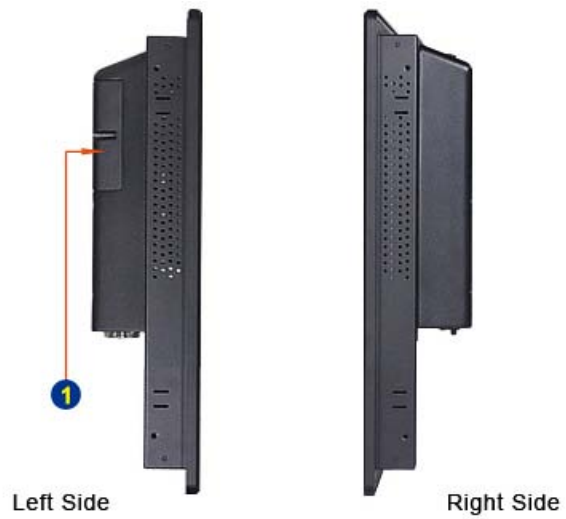
PMS7927 Touch Panel PC I/O View

The PMS7927 Supports:
1 x CFast Slot
1 x Mini PCIe Slot for Wifi Module



PMS7927 Touch Panel PC Side View

1. 1 x 2.5" HDD Drive Bay



PMS7927 - 17" TFT LCD Fanless Touch Panel PC

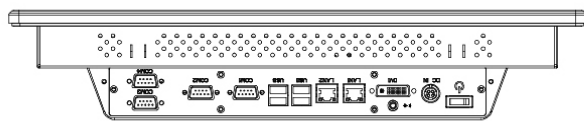


Mechanical Drawing

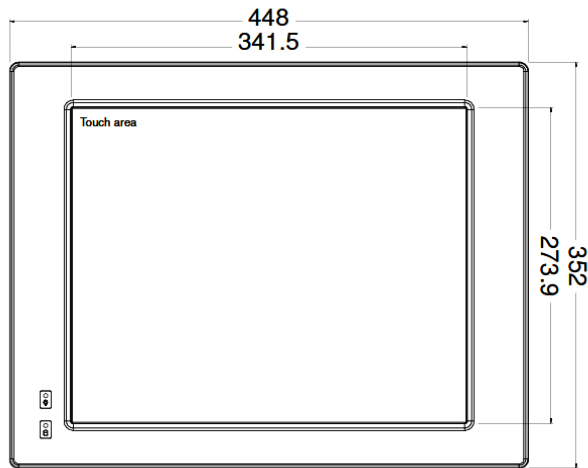
Top View



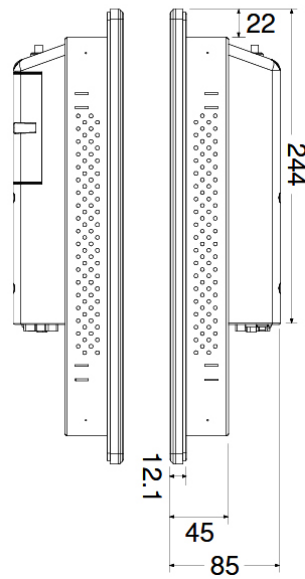
Bottom View



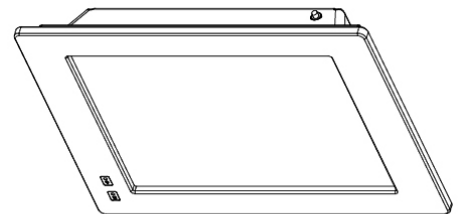
Front View



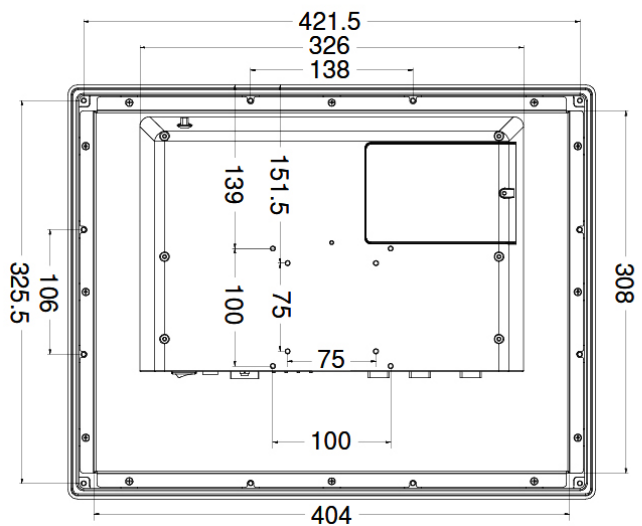
Side View



Quarter View



Rear View



Unit: mm